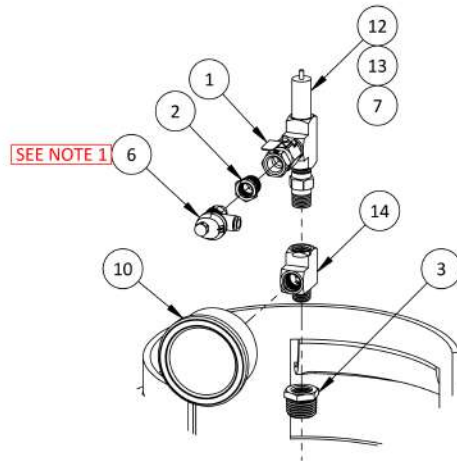
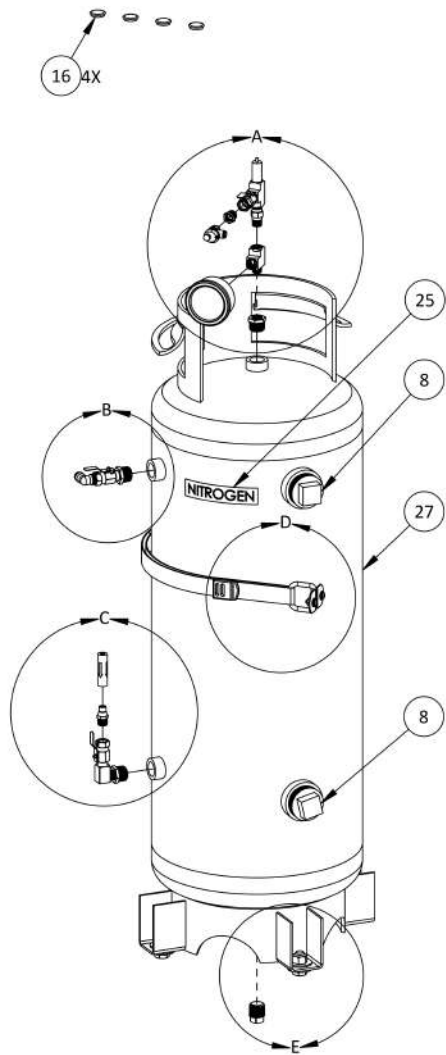
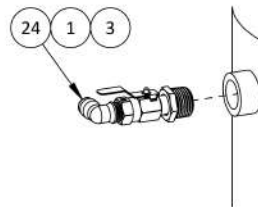


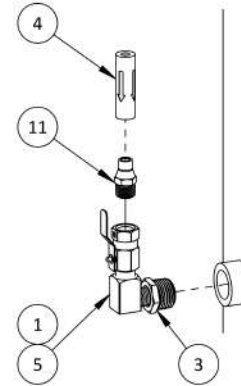
SECTION F-F



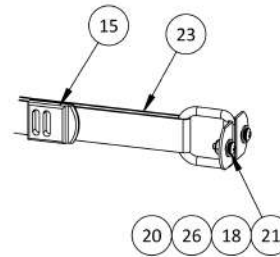
DETAIL A
SCALE 1 : 4



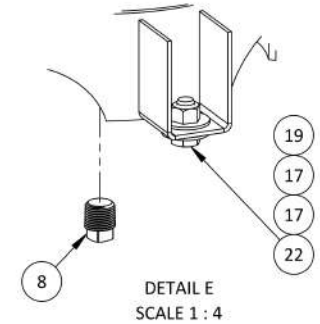
DETAIL B
SCALE 1 : 4



DETAIL C
SCALE 1 : 4

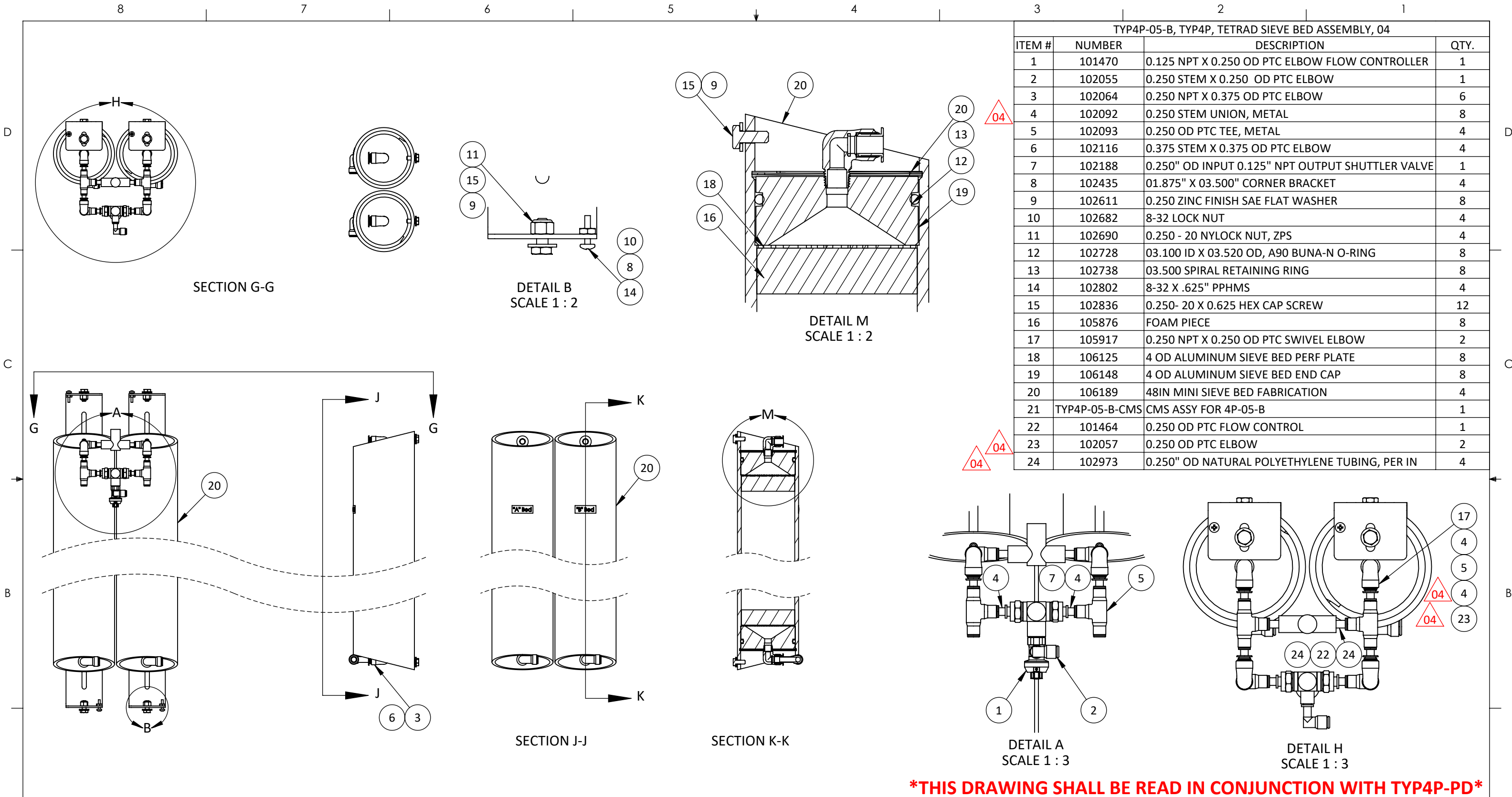


DETAIL D
SCALE 1 : 4



DETAIL E
SCALE 1 : 4

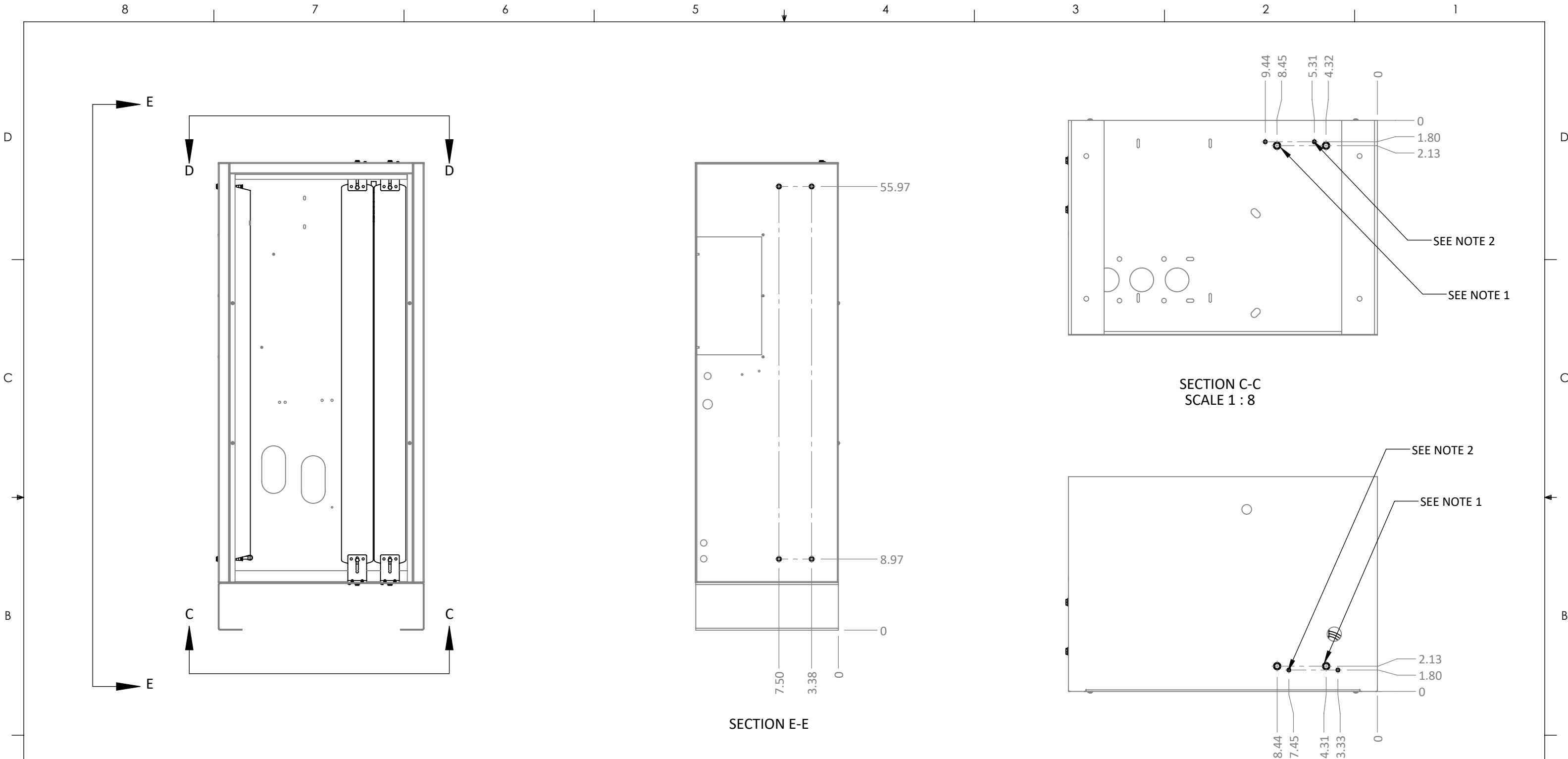
ITEM #	NUMBER	DESCRIPTION	QTY.
1	100785	0.250 NPT M X F MINI BALL VALVE, BRASS	3
2	100916	0.250 NPT X 0.125 NPT BUSHING, BRASS	1
3	100999	0.500 NPT X 0.250 NPT BUSHING, BRASS	3
4	101071	0.250 OD PTL INLINE ACETOL CHECK VALVE	1
5	101271	0.250 NPT STREET ELBOW, BRASS	1
6	101470	0.125 NPT X 0.250 OD PTC ELBOW FLOW CONTROLLER	1
7	101687	0.250 NPT HEX NIPPLE, BRASS	1
8	101880	01.500" NPT SQUARE HEAD PLUG, BLK	2
8	101893	0.500" NPT SQUARE HEAD PLUG, BLACK	1
10	101943	0.250 NPT X 02.000 RMPG, 0-160 PSI	1
11	102066	0.250 NPT X 0.250 OD PTC STRAIGHT	1
12	102175	0.250 NPT SAFETY RELIEF VALVE, 135 PSI, 119 SCFM	1
13	102307	0.250 NPT F TEE, BRASS	1
14	102313	0.250 NPT STREET TEE, BRASS	1
15	102442	LIGHT DUTY PLASTIC BUCKLE	1
16	102550	0.750" METAL PANEL PLUG	4
17	102594	0.500 FLAT WASHER	6
18	102608	#10 SAE FLAT WASHER, ZINC	4
19	102689	0.500-13 HEX NUT	3
20	102692	10-32 NYLOCK NUT	4
21	102799	10-32 X 0.500" PPHMS, ZINC	4
22	102841	0.500-13 X 01.000 HEX HEAD SCREW	3
23	103023	NYLON WEB STRAP	48
24	105917	0.250 NPT X 0.250 OD PTC SWIVEL ELBOW	1
25	108132	NITROGEN LABEL	1
26	108205	D-RING ASSEMBLY	2
27	108277	00014 GAL, 200 PSI TANK, ASME, U STAMPED	1



TYP4P-05-B, TYP4P, TETRAD SIEVE BED ASSEMBLY, 04			
ITEM #	NUMBER	DESCRIPTION	QTY.
1	101470	0.125 NPT X 0.250 OD PTC ELBOW FLOW CONTROLLER	1
2	102055	0.250 STEM X 0.250 OD PTC ELBOW	1
3	102064	0.250 NPT X 0.375 OD PTC ELBOW	6
4	102092	0.250 STEM UNION, METAL	8
5	102093	0.250 OD PTC TEE, METAL	4
6	102116	0.375 STEM X 0.375 OD PTC ELBOW	4
7	102188	0.250" OD INPUT 0.125" NPT OUTPUT SHUTTLER VALVE	1
8	102435	01.875" X 03.500" CORNER BRACKET	4
9	102611	0.250 ZINC FINISH SAE FLAT WASHER	8
10	102682	8-32 LOCK NUT	4
11	102690	0.250 - 20 NYLOCK NUT, ZPS	4
12	102728	03.100 ID X 03.520 OD, A90 BUNA-N O-RING	8
13	102738	03.500 SPIRAL RETAINING RING	8
14	102802	8-32 X .625" PPHMS	4
15	102836	0.250- 20 X 0.625 HEX CAP SCREW	12
16	105876	FOAM PIECE	8
17	105917	0.250 NPT X 0.250 OD PTC SWIVEL ELBOW	2
18	106125	4 OD ALUMINUM SIEVE BED PERF PLATE	8
19	106148	4 OD ALUMINUM SIEVE BED END CAP	8
20	106189	48IN MINI SIEVE BED FABRICATION	4
21	TYP4P-05-B-CMS	CMS ASSY FOR 4P-05-B	1
22	101464	0.250 OD PTC FLOW CONTROL	1
23	102057	0.250 OD PTC ELBOW	2
24	102973	0.250" OD NATURAL POLYETHYLENE TUBING, PER IN	4

THIS DRAWING SHALL BE READ IN CONJUNCTION WITH TYP4P-PD

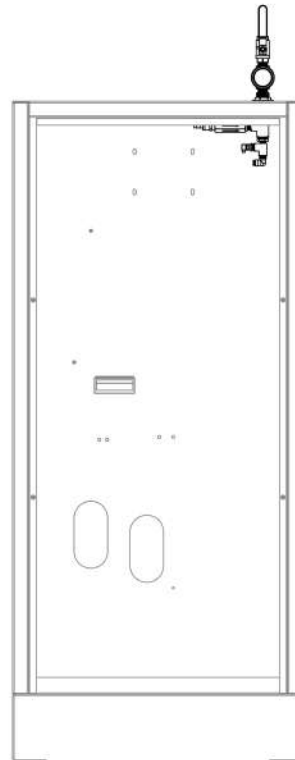
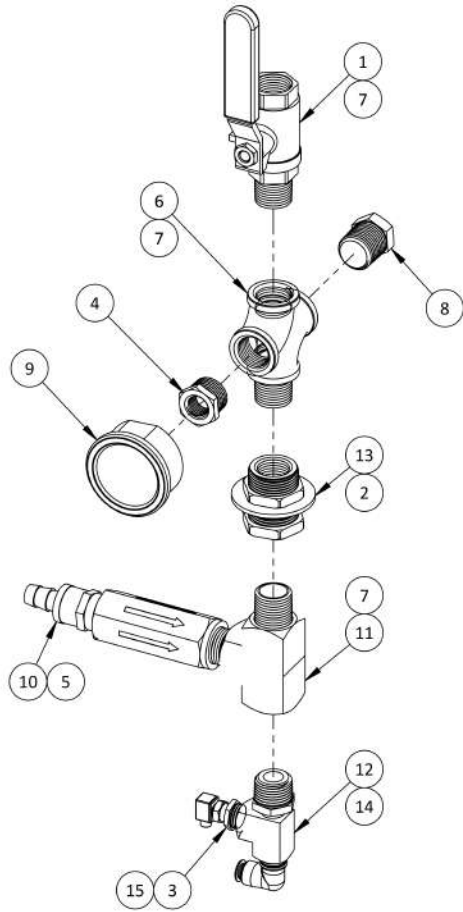
04	10622	REDIGNED FITTINGS ASSEMBLY ATOP SIEVE BEDS	08/09/22	SRG	SDA		MATERIAL:	TYP4P, TETRAD SIEVE BED ASSEMBLY	DRAWN:	APPROVED:															
03	10566	MOVED FLOW CONTROL TO SIEVE BEDS	02/07/22	SRG	SDA		FINISH:		DATE:	DATE:															
02	DCO	SWITCHED CMS TO AN ASSEMBLY FOR WW	11/18/20	PJS	ADMIN		WEIGHT:		PROJECT NAME:	FM APPROVAL APPLIES:	SIZE:	SCALE:	SHEET:												
REV.	ECO#	DESCRIPTION	DATE	REV'D BY	APPD. BY		UNLESS OTHERWISE SPECIFIED DIMENSIONS ARE IN INCHES		TYPYP SUB-ASSEMBLIES	YES	B	1:6	1 OF 2												
REVISIONS: ONLY THE LAST 3 REVISIONS WILL BE SHOWN. OLDER REVISIONS CONSOLIDATED AND FILED						<small>PROPRIETARY AND CONFIDENTIAL THE INFORMATION CONTAINED IN THIS DRAWING IS THE SOLE PROPERTY OF SOUTH-TEK SYSTEMS. ANY REPRODUCTION IN PART OR AS A WHOLE WITHOUT THE WRITTEN PERMISSION OF SOUTH-TEK SYSTEMS IS PROHIBITED.</small>	<table border="1"> <tr> <th>ANGLES</th> <th>X.</th> <th>.X</th> <th>.XX</th> <th>.XXX</th> <th>X/X<10'</th> <th>X/X>10'</th> </tr> <tr> <td>±.5°</td> <td>±1</td> <td>±.2</td> <td>±.03</td> <td>±.005</td> <td>±1/16</td> <td>±1/8</td> </tr> </table>	ANGLES	X.	.X	.XX	.XXX	X/X<10'	X/X>10'	±.5°	±1	±.2	±.03	±.005	±1/16	±1/8	NUMBER:	TYP4P-05-B		REVISION:
ANGLES	X.	.X	.XX	.XXX	X/X<10'	X/X>10'																			
±.5°	±1	±.2	±.03	±.005	±1/16	±1/8																			
											04														



GENERAL NOTES:
 (1) DRILL 2X CLEARANCE HOLES FOR 1/4" HARDWARE.
 (2) DRILL 2X CLEARANCE HOLES FOR #8 HARDWARE.

04	10622	REDIGNED FITTINGS ASSEMBLY ATOP SIEVE BEDS	08/09/22	SRG	SDA
03	10566	MOVED FLOW CONTROL TO SIEVE BEDS	02/07/22	SRG	SDA
02	DCO	SWITCHED CMS TO AN ASSEMBLY FOR WW	11/18/20	PJS	ADMIN
REV.	ECO#	DESCRIPTION	DATE	REV'D BY	APPD. BY
REVISIONS: ONLY THE LAST 3 REVISIONS WILL BE SHOWN. OLDER REVISIONS CONSOLIDATED AND FILED					

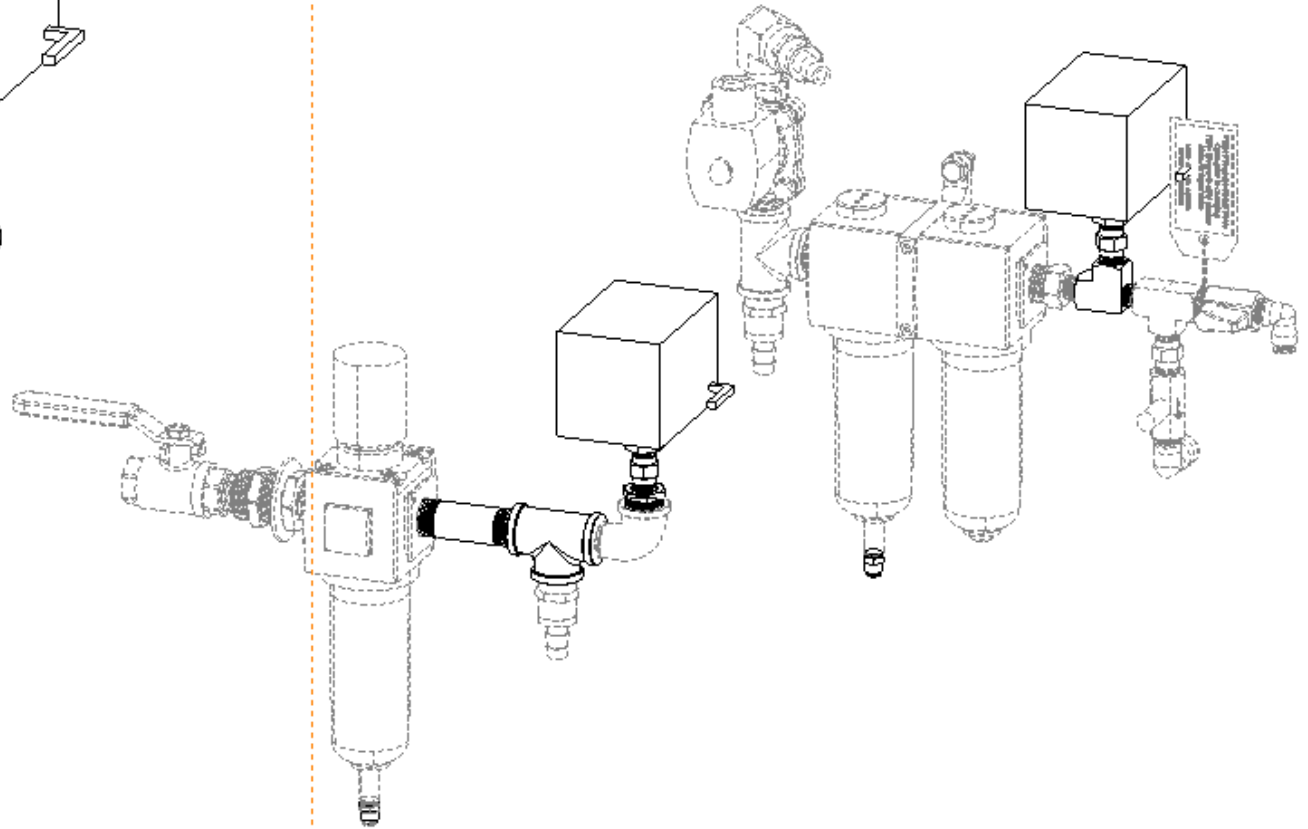
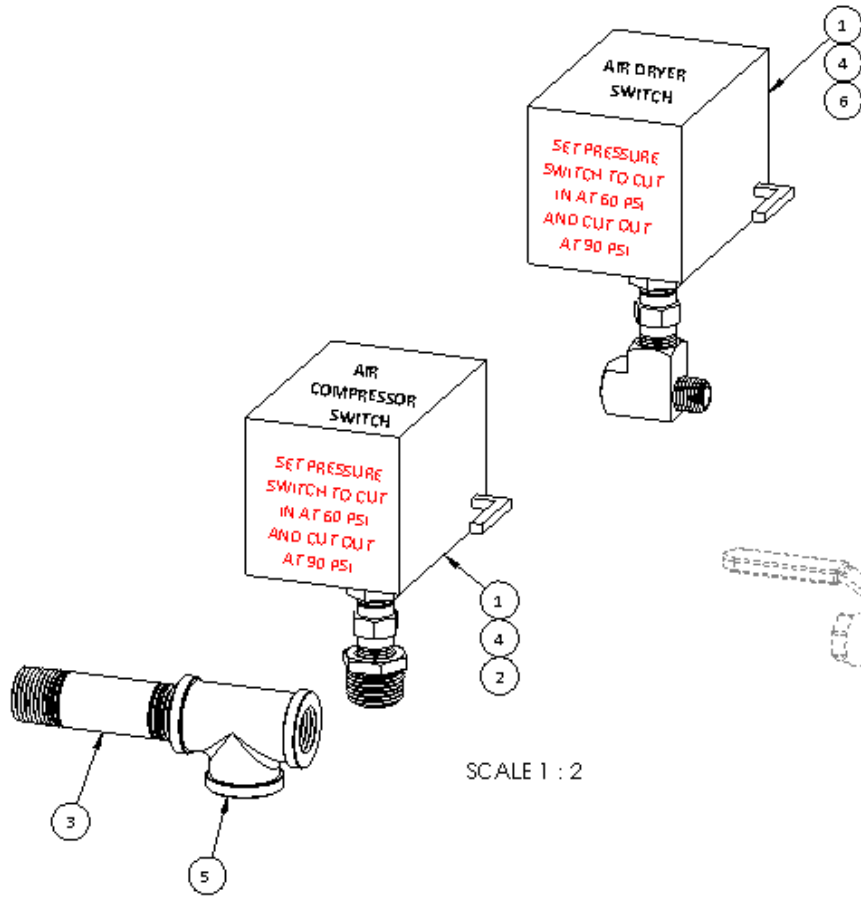
	MATERIAL:		TYP4P, TETRAD SIEVE BED ASSEMBLY		DRAWN:	APPROVED:												
	FINISH:				PJS	SRG												
WEIGHT:		PROJECT NAME:		FM APPROVAL APPLIES:	SIZE:	DATE:												
		TYPYP SUB-ASSEMBLIES		YES	B	01/08/18												
UNLESS OTHERWISE SPECIFIED DIMENSIONS ARE IN INCHES		NUMBER:		SCALE:	SHEET:													
		TYP4P-05-B		1:12	2 OF 2													
<small>PROPRIETARY AND CONFIDENTIAL THE INFORMATION CONTAINED IN THIS DRAWING IS THE SOLE PROPERTY OF SOUTH-TEK SYSTEMS. ANY REPRODUCTION IN PART OR AS A WHOLE WITHOUT THE WRITTEN PERMISSION OF SOUTH-TEK SYSTEMS IS PROHIBITED.</small>		<table border="1"> <tr> <th>ANGLES</th> <th>X.</th> <th>.X</th> <th>.XX</th> <th>.XXX</th> <th>X/X<10'</th> <th>X/X>10'</th> </tr> <tr> <td>±.5°</td> <td>±1</td> <td>±.2</td> <td>±.03</td> <td>±.005</td> <td>±1/16</td> <td>±1/8</td> </tr> </table>		ANGLES	X.	.X	.XX	.XXX	X/X<10'	X/X>10'	±.5°	±1	±.2	±.03	±.005	±1/16	±1/8	REVISION:
ANGLES	X.	.X	.XX	.XXX	X/X<10'	X/X>10'												
±.5°	±1	±.2	±.03	±.005	±1/16	±1/8												
						04												



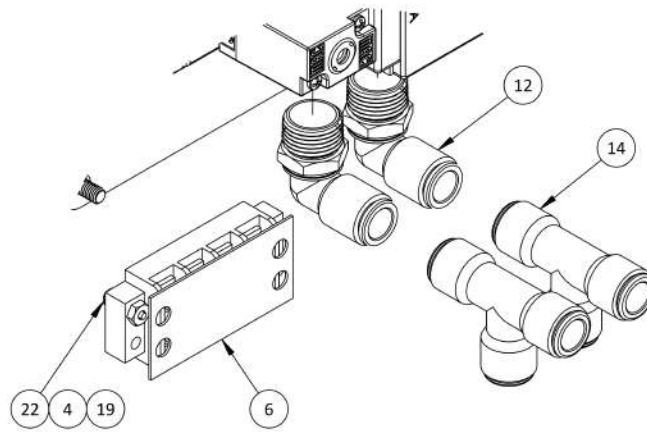
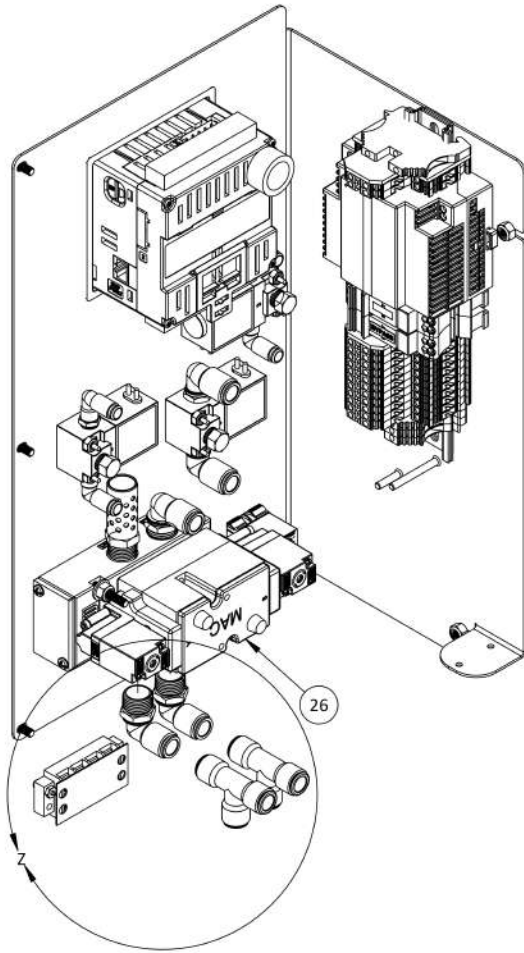
SCALE 1 : 12

ITEM #	NUMBER	DESCRIPTION	QTY.
1	100776	0.500" NPT F BALL VALVE, BRASS	1
2	100897	0.500 NPT F BULKHEAD, BRASS	1
3	100916	0.250 NPT X 0.125 NPT BUSHING, BRASS	1
4	100999	0.500 NPT X 0.250 NPT BUSHING, BRASS	2
5	101065	0.500 NPT F CHECK VALVE, BRASS	1
6	101208	0.500" NPT F CROSS, BRASS	1
7	101676	0.500 NPT CLOSE NIPPLE, BRASS	4
8	101895	0.500 NPT PLUG, BRASS	1
9	101943	0.250 NPT X 02.000 RMPG, 0-160 PSI	1
10	101995	0.500 NPT X 0.500 PUSH-ON BARB SWIVEL, PS	1
11	102305	0.500 NPT F TEE, BRASS	1
12	102313	0.250 NPT STREET TEE, BRASS	1
13	102597	01.125" ID X 01.750" OD WASHER FOR BULKHEADS	1
14	105917	0.250 NPT X 0.250 OD PTC SWIVEL ELBOW	1
15	111219	0.125 NPT PRESS SNSR, 1-5 ANLG OUT	1

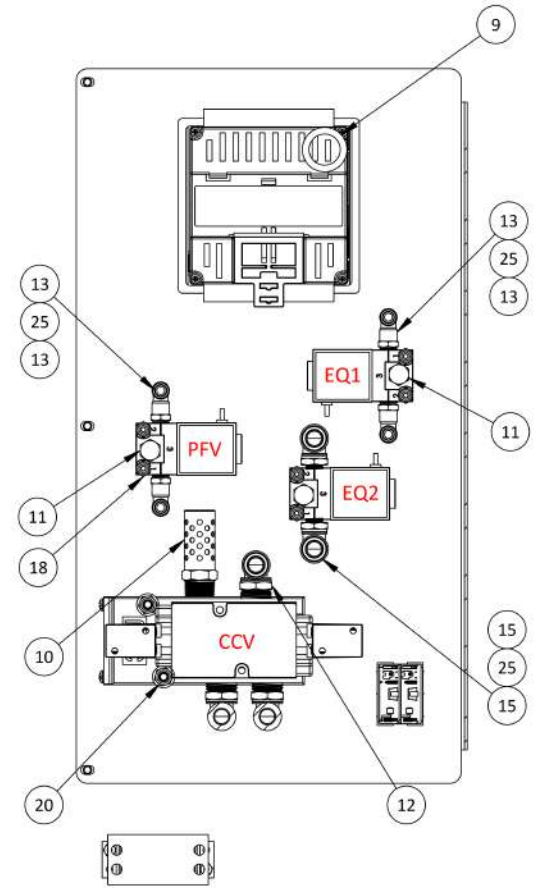
ITEM #	NUMBER	DESCRIPTION	QTY.
1	000326	0.250" NPT PRESSURE SWITCH, 5-150 PSI, DELTA 30-40 PSI	2
2	000996	0.500 NPT X 0.250 NPT BUSHING, BLACK	1
3	001660	0.500 NPT X 03.000 L NIPPLE, BLACK	1
4	001687	0.250 NPT HEX NIPPLE, BRASS	2
5	002304	0.500 NPT F TEE, BLACK	1
6	002313	0.250 NPT STREET TEE, BRASS	1



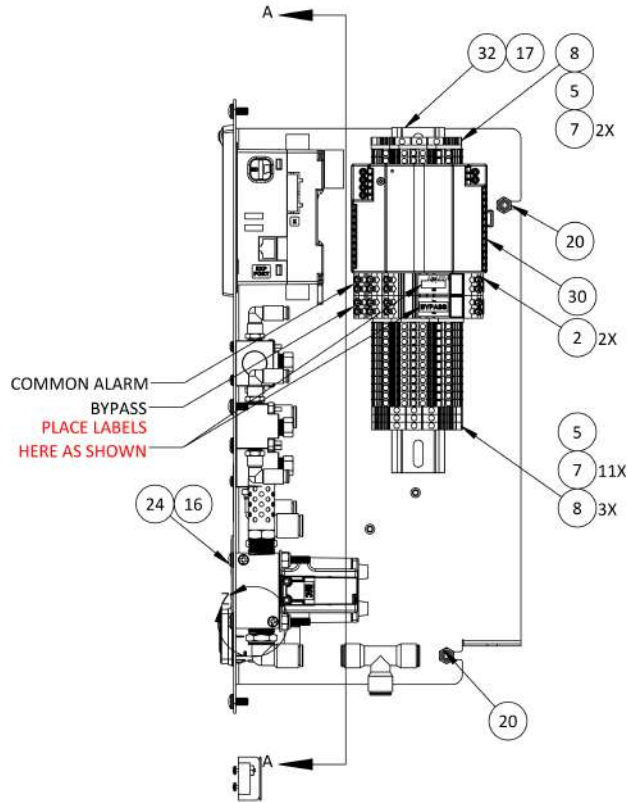
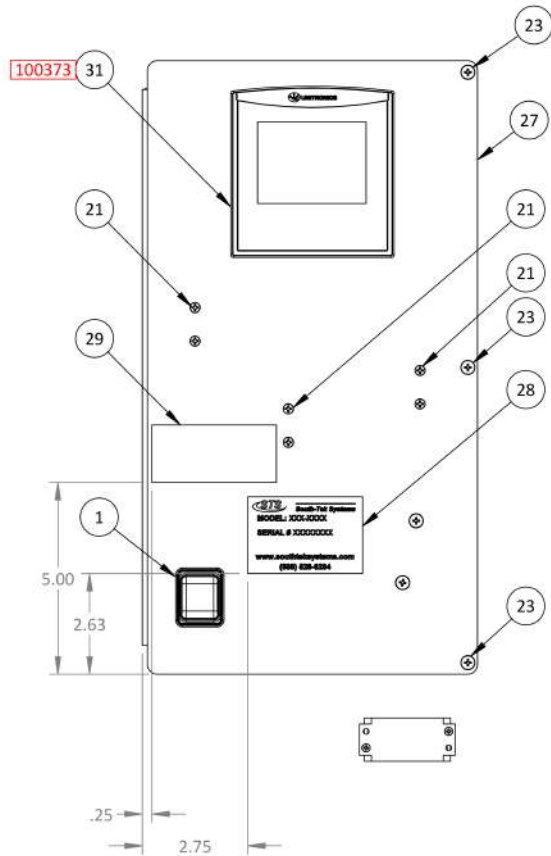
NOTE: SEE ES-CP-PLUS-A03 FOR WIRING



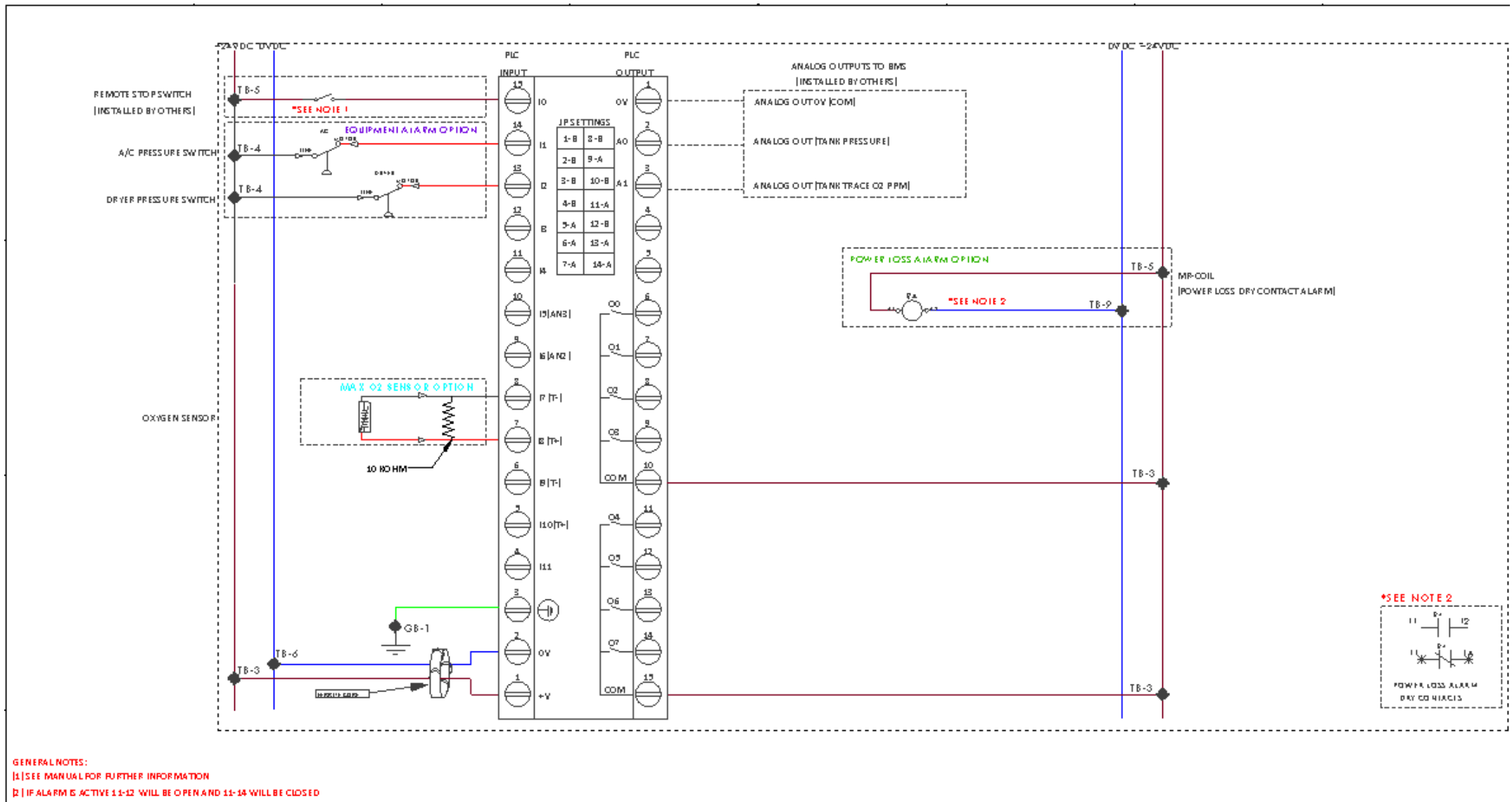
DETAIL Z
SCALE 2 : 3

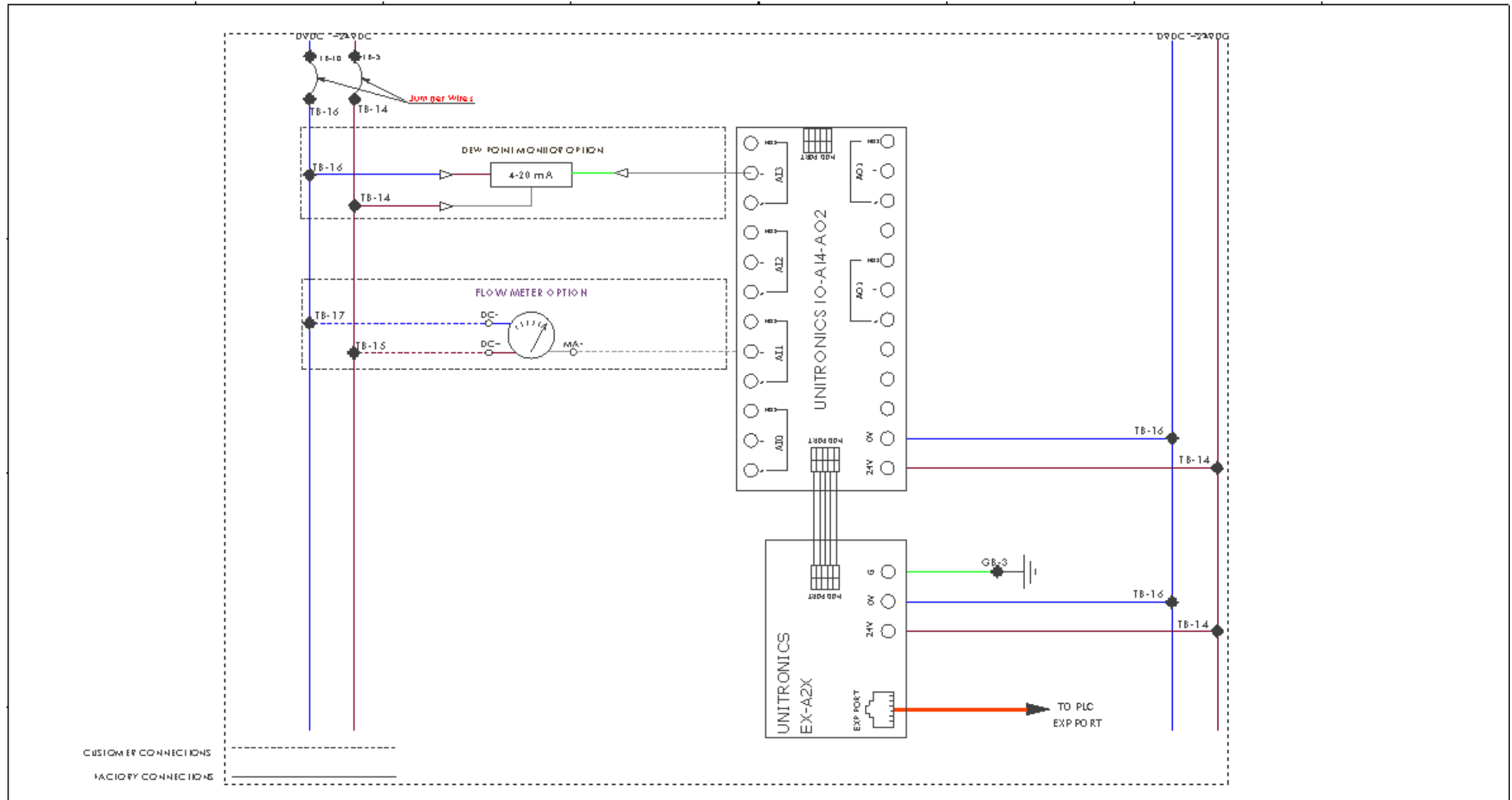


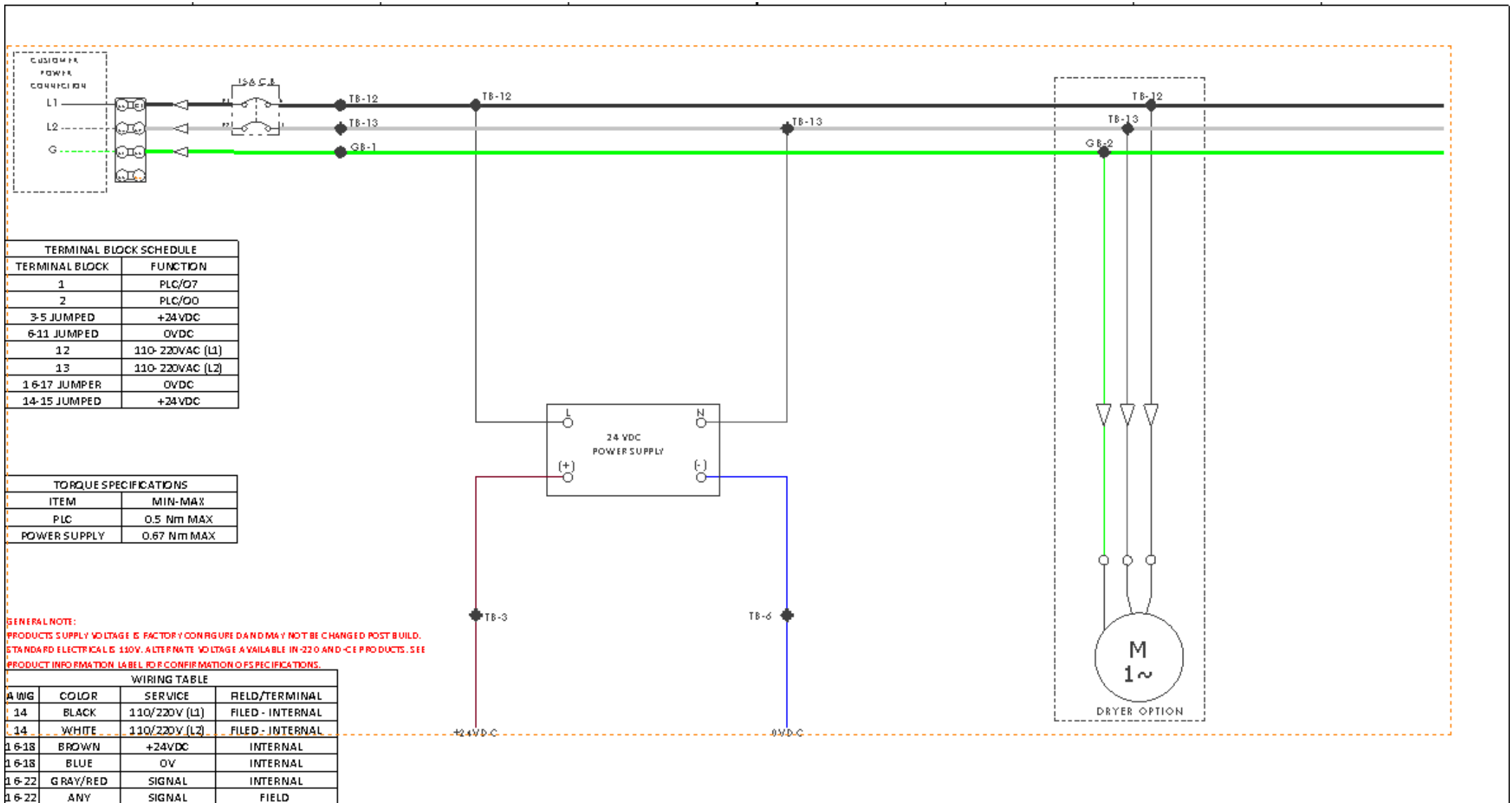
SECTION A-A

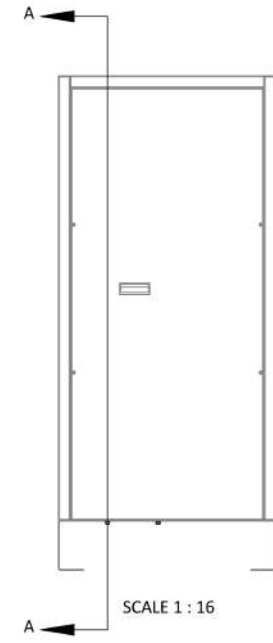
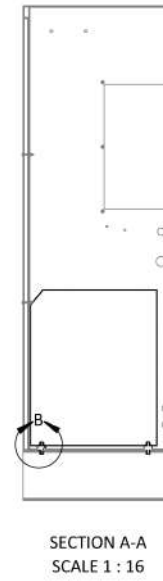
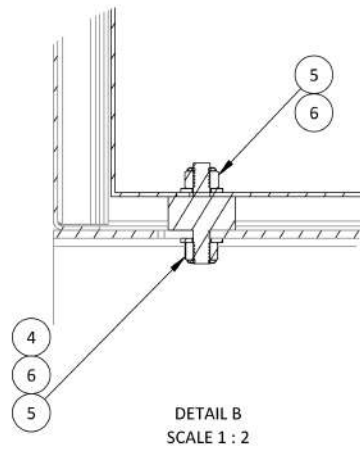
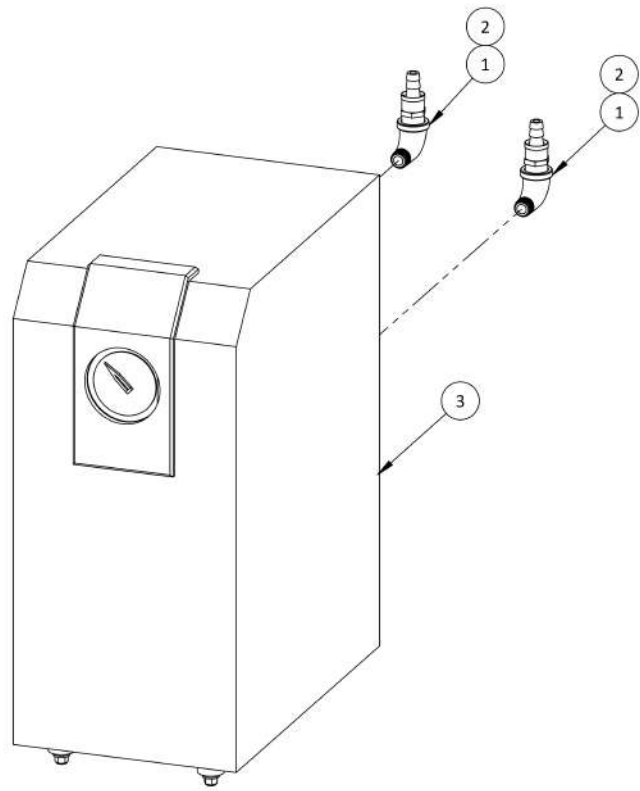


ITEM #	NUMBER	DESCRIPTION	QTY.
1	100145	CIRCUIT BREAKER, 15A, DPDT, W COLLAR	1
2	100337	WAGO RELAY, 24 VDC	2
3	100373	SD CARD	1
4	100379	4 POST MINI TERMINAL BLOCK	1
5	100381	DIN MOUNT TERMINAL BLOCK END COVER	2
6	100388	MINI TERMINAL BLOCK COVER	1
7	100392	TERMINAL BLOCK, 4 POS 26-12AWG	13
8	100397	GROUND BLOCK, DIN RAIL MOUNT	4
9	100446	FERRITE CORE, UNITRONICS POWER WIRES	1
10	101528	0.375 NPT COMPACT HIGH FLOW MUFFLER, STEEL	1
11	101905	0.125 NPT HEX PLUG, BRASS	3
12	102051	0.375 NPT X 0.375 OD PTC ELBOW	3
13	102075	0.125 NPT X 0.250 OD PTC SWIVEL ELBOW	4
14	102080	0.375 OD PTC TEE, LEGRIS	2
15	102115	0.125 NPT X 0.375 OD PTC SWIVEL ELBOW	2
16	102608	#10 SAE FLAT WASHER, ZINC	2
17	102682	8-32 LOCK NUT	2
18	102685	6-32 NYLOCK NUT	6
19	102691	4-40 HEX NUT	2
20	102692	10-32 NYLOCK NUT	4
21	102791	6-32 X 0.1250 PPHMS	6
22	102792	4-40 X 0.500 PPHMS	2
23	102804	10-32 X 0.375 PPHMS, ZINC	3
24	102811	10-32 X 0.2000 PPHMS	2
25	103257	0.125" NPT 3-WAY SOLENOID VALVE, 24 VDC	3
26	103265	0.375" NPT CENTER CLOSED SOLENOID VALVE, 24 VDC	1
27	104080	TYP1P,4P FPS AND CP PLUS ELECTRICAL PANEL, RD	1
28	105527	SERIAL NUMBER LABEL	1
29	105943	UL OPEN INDUSTRIAL CONTROL PANEL LABEL	1
30	111249	PWR SUPPLY, 100-240, 24V, 100W	1
31	100224	PROGRAMMABLE LOGIC CONTROLER	1
32	999799	DIN RAIL, PER INCH	18

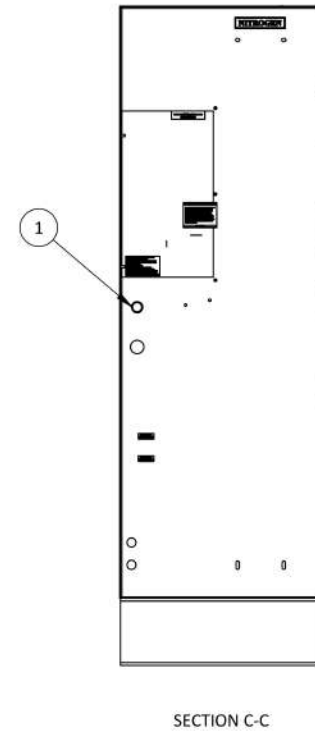
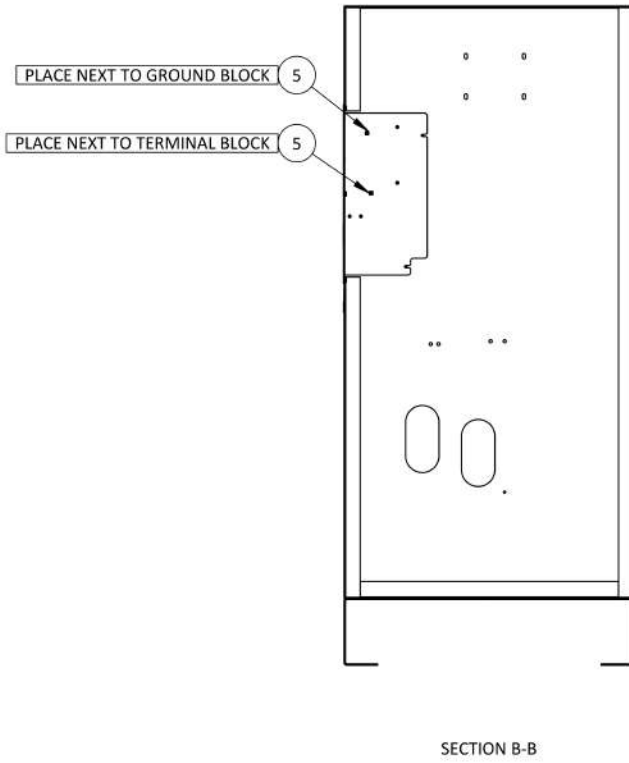
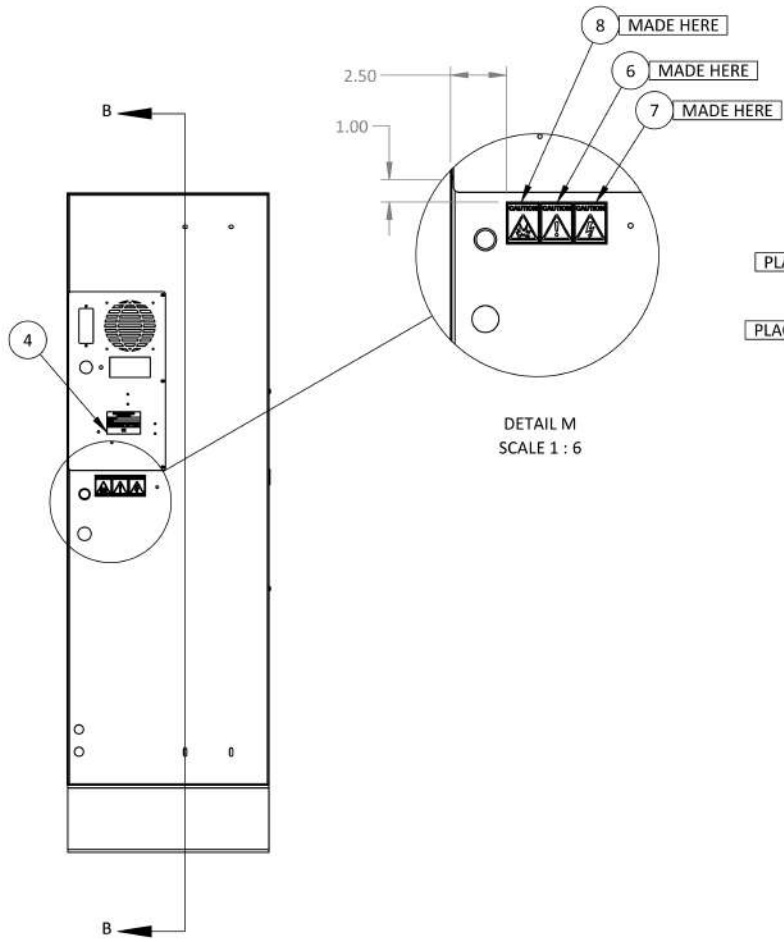


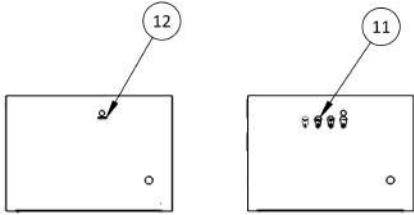




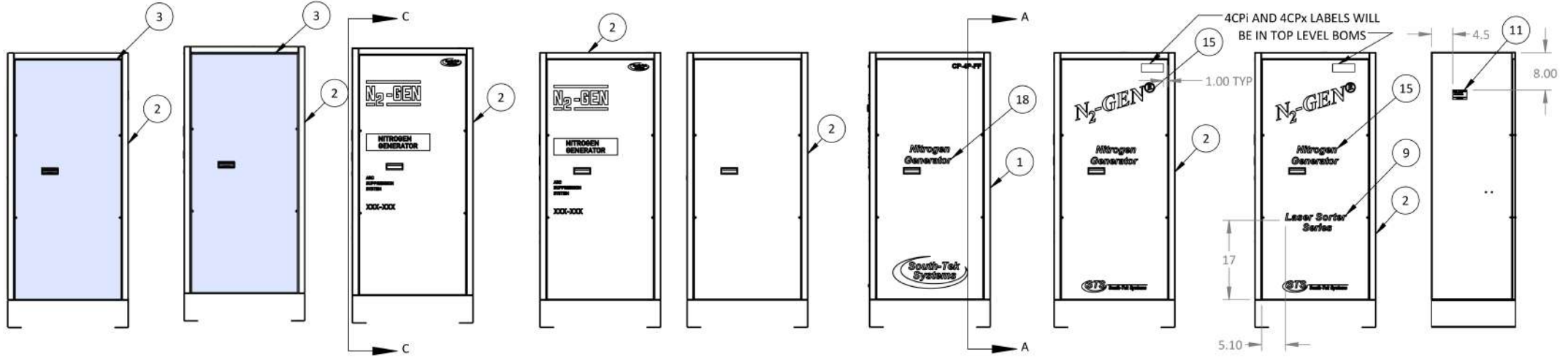


ITEM #	NUMBER	DESCRIPTION	QTY.
1	101853	0.375" NPT X 0.500" NPT F REDUCING ELBOW, BLK	2
2	101995	0.500 NPT X 0.500 PUSH-ON BARB SWIVEL, PS	2
3	103606		1
4	102460	NEOPRENE SANDWICH SHOCK MOUNTS	4
5	102690	0.250 - 20 NYLOCK NUT, ZPS	8
6	102611	0.250 ZINC FINISH SAE FLAT WASHER	8





ITEM #	STS PART #	DESCRIPTION	TYP4P-06-BB-14KPH-R1 /QTY.	TYP4P-06-NP-14KPH-R1 /QTY.	TYP4P-06-TL-1050-R1 /QTY.	TYP4P-06-4CP-LS-R1 /QTY.	TYP4P-06-4CP-WH-R1 /QTY.	TYP4P-06-4CP-GR-R1 /QTY.	TYP4P-06-TL-1825-R1 /QTY.	TYP4P-06-FPS-CE-R1 /QTY.	TYP4P-06-FPS-R1 /QTY.
1	002-264	0.875" PUSH-IN METAL PLUG	1	1	1	1	1	1	1	1	1
2	002-301-WH	TYP4P, CABINET FABRICATION	1	1	1	1	1	-	1	-	-
2	002-301-GR	TYP4P, CABINET FABRICATION	-	-	-	-	-	1	-	-	-
2	002-301-RD	TYP4P, CABINET FABRICATION	-	-	-	-	-	-	-	1	1
3	004-557	BB 14KPH FRONT COVER LABEL	1	1	-	-	-	-	-	-	-
4	005-278-A	CE SERIAL NUMBER LABEL, NON TANK	-	-	-	-	-	-	-	1	-
5	005-295	GROUND SYMBOL LABEL	-	-	-	-	-	-	-	2	-
6	005-341	CAUTION LABEL (MADE HERE)	-	-	-	-	-	-	-	1	-
7	005-342	CAUTION LABEL (MADE HERE)	-	-	-	-	-	-	-	1	-
8	005-343	ARC FLASH CAUTION LABEL (MADE HERE)	-	-	-	-	-	-	-	1	-
9	005-431-WH	LASER SORTER SERIES LABEL	-	-	-	1	-	-	-	-	-
10	124-302	SERIAL NUMBER LABEL	1	1	1	1	1	1	1	1	1
11	124-909-BP	BEERBLAST 14KPH LABEL SET	1	-	-	-	-	-	-	-	-
12	124-909-NP	N2-GEN 14KPH Label Set	-	1	-	-	-	-	-	-	-
13	685-910-H	TL-1050 LABEL SET	-	-	1	-	-	-	-	-	-
14	685-910-I	TL-1825 LABEL SET	-	-	-	-	-	-	1	-	-
15	TYP4P-4CP-LS-GR	4CP MODELS SHARED LABEL SET	-	-	-	-	1	-	-	-	-
15	TYP4P-4CP-LS-WH	4CP MODELS SHARED LABEL SET	-	-	-	1	-	1	-	-	-



SEE DRAWING ASSEMBLY
124-909-NP FOR LABEL
PLACEMENT

SEE DRAWING ASSEMBLY
124-909-BP FOR LABEL
PLACEMENT

SEE DRAWING ASSEMBLY
685-910-H FOR LABEL
PLACEMENT

SEE DRAWING ASSEMBLY
685-910-I FOR LABEL
PLACEMENT

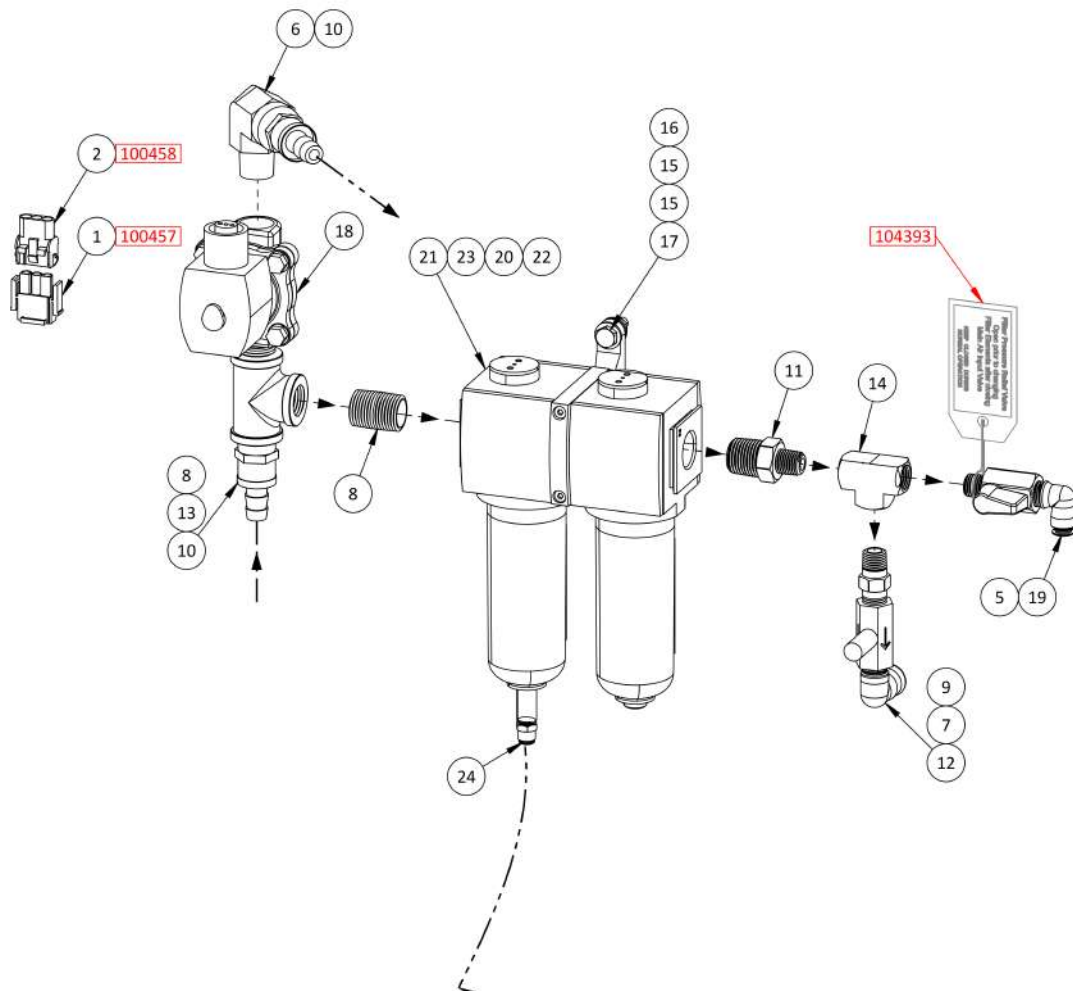
SEE DRAWING ASSEMBLY
TYP4P-FPS-LS FOR LABEL
PLACEMENT

SEE DRAWING ASSEMBLY
124-907-CP-4P-FF FOR
LABEL PLACEMENT

SEE DRAWING ASSEMBLY
TYP4P-4CPI-LS FOR
LABEL PLACEMENT

SEE DRAWING ASSEMBLY
TYP4P-4CPI-LS FOR
LABEL PLACEMENT

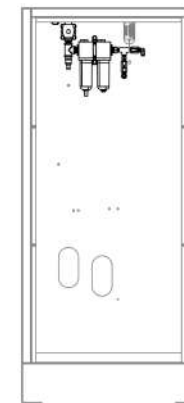
SECTION A-A



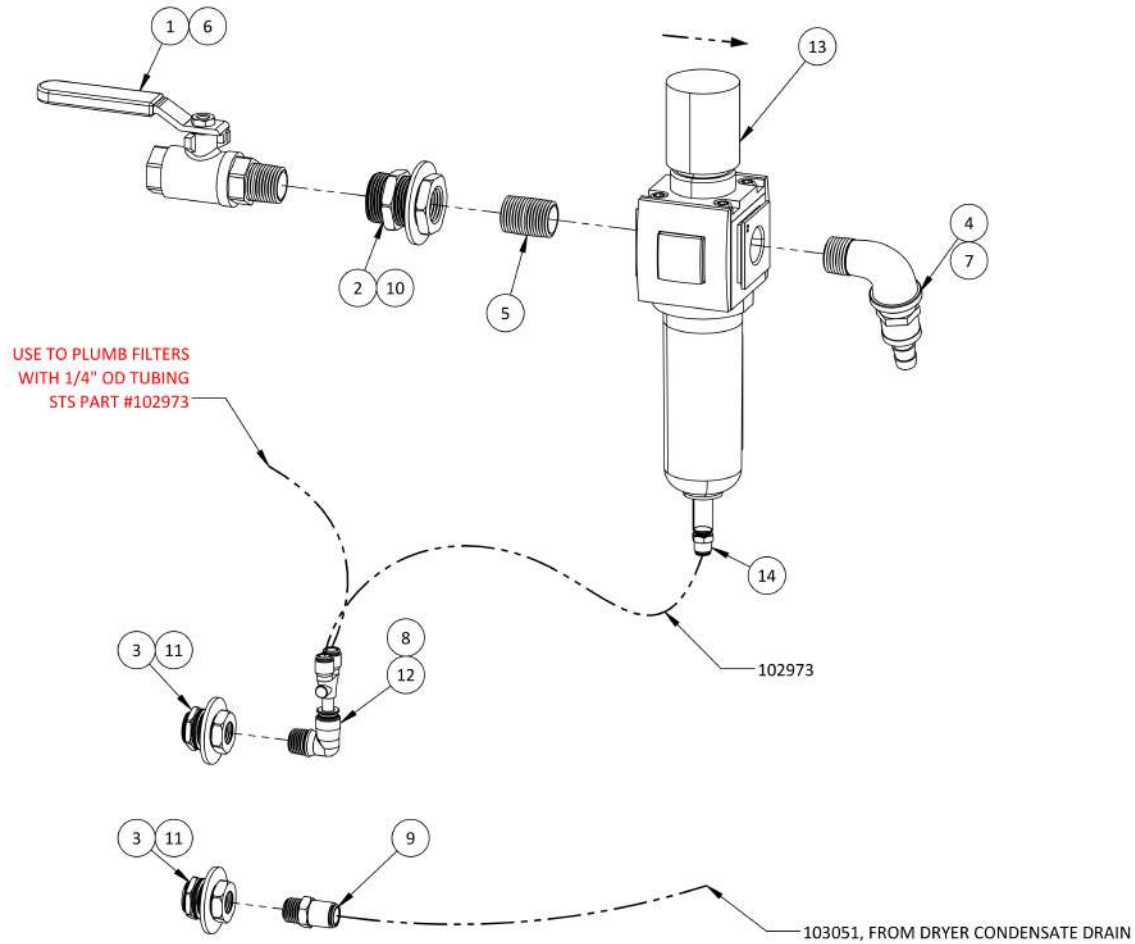
CONNECT DRAIN TO WYE IN 800017 ASSEMBLY

GENERAL NOTES:
ENSURE FILTER AUTO DRAIN DOES NOT LEAK BY TURNING DRAIN CCW FROM BOTTOM, ONLY TURN HAND TIGHT

ITEM #	NUMBER	DESCRIPTION	QTY.
1	100450	3 PIN PLUG	1
2	100452	3 PIN CAP	1
3	100457	MALE UNIVERSAL PIN, 20-14 AWG, PRE-TINNED BRASS	3
4	100458	FEMALE UNIVERSAL SOCKET	3
5	100782	0.250 NPT M X 0.250 F WEDGE VALVE, LOW PRESSURE	1
6	101268	0.500 NPT STREET ELBOW, BRS	1
7	101460	0.250 NPT EASY READ NEEDLE VALVE, BRASS	1
8	101674	0.500 NPT CLOSE NIPPLE, BLK	2
9	101687	0.250 NPT HEX NIPPLE, BRASS	1
10	101995	0.500 NPT X 0.500 PUSH-ON BARB SWIVEL, PS	2
11	102015	0.500 NPT X 0.250 NPT HEX NIPPLE, BRASS	1
12	102064	0.250 NPT X 0.375 OD PTC ELBOW	1
13	102304	0.500 NPT F TEE, BLACK	1
14	102307	0.250 NPT F TEE, BRASS	1
15	102611	0.250 ZINC FINISH SAE FLAT WASHER	4
16	102690	0.250 - 20 NYLOCK NUT, ZPS	2
17	102845	0.250-20 X 01.000 HEX BOLT, GR8	2
18	103274	0.500 NPT 2 WAY SOLENOID VALVE, 24VC	1
19	105917	0.250 NPT X 0.250 OD PTC SWIVEL ELBOW	1
20	300058	WALL BRACKET, 652 ASCO	1
21	300062	COALESCING FLTR, 0.500, .01 MICRON	1
22	300063	ADSORBING FILTER, 0.500 NPT	1
23	300064	BODY CLAMP 652 ASCO	1
24	999279	0.125 RC M X 0.250 OD PTC STRAIGHT	1

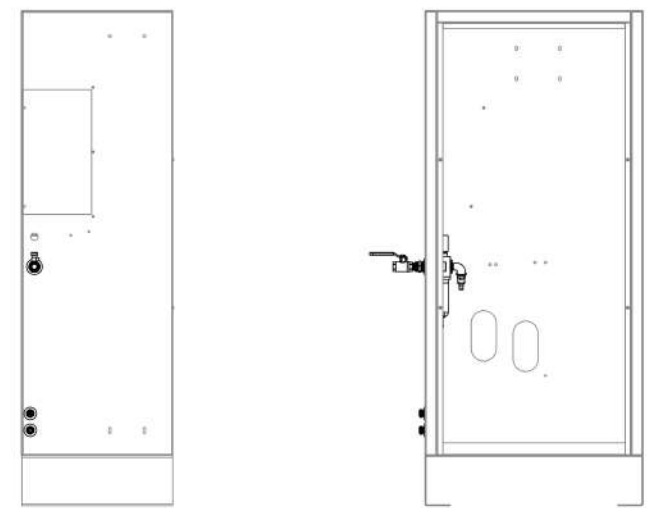


SCALE 1 : 20



ITEM #	NUMBER	DESCRIPTION	QTY.
1	100776	0.500" NPT F BALL VALVE, BRASS	1
2	100897	0.500 NPT F BULKHEAD, BRASS	1
3	100899	0.250 NPT F BULKHEAD, BRASS	2
4	101270	ST ELB, 0.500 NPT BLK	1
5	101674	0.500 NPT CLOSE NIPPLE, BLK	1
6	101676	0.500 NPT CLOSE NIPPLE, BRASS	1
7	101995	0.500 NPT X 0.500 PUSH-ON BARB SWIVEL, PS	1
8	102054	0.250 OD STEM WYE	1
9	102063	0.250 NPT X 0.375 OD PTC STRAIGHT	1
10	102597	0.1.125" ID X 0.1.750" OD WASHER FOR BULKHEADS	1
11	102600	0.750" ID X 1.250" OD WASHER FOR BULKHEADS	2
12	105917	0.250 NPT X 0.250 OD PTC SWIVEL ELBOW	1
13	300060	PTCLT FLTR/REG, 0.500 NPT, 5 MICRON	1
14	999279	0.125 RC M X 0.250 OD PTC STRAIGHT	1

GENERAL NOTES:
 ENSURE FILTER AUTO DRAIN DOES NOT LEAK BY TURNING DRAIN CCW FROM BOTTOM,
 ONLY TURN HAND TIGHT



SCALE 1 : 16