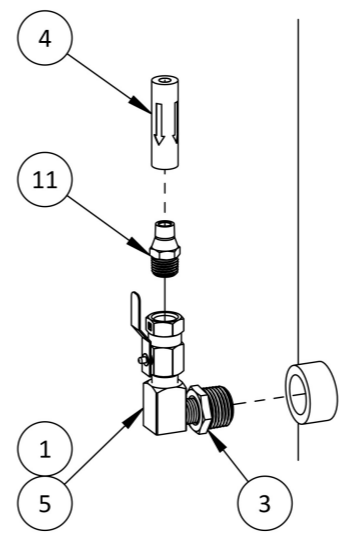
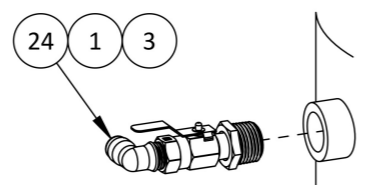


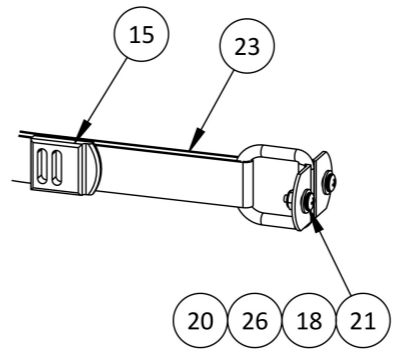
DETAIL A
SCALE 1 : 4



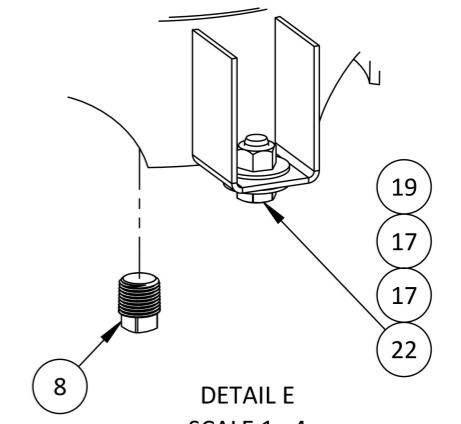
DETAIL C
SCALE 1 : 4



DETAIL B
SCALE 1 : 4

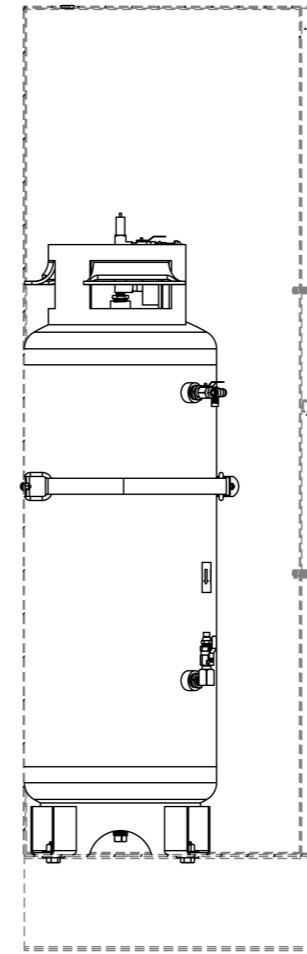
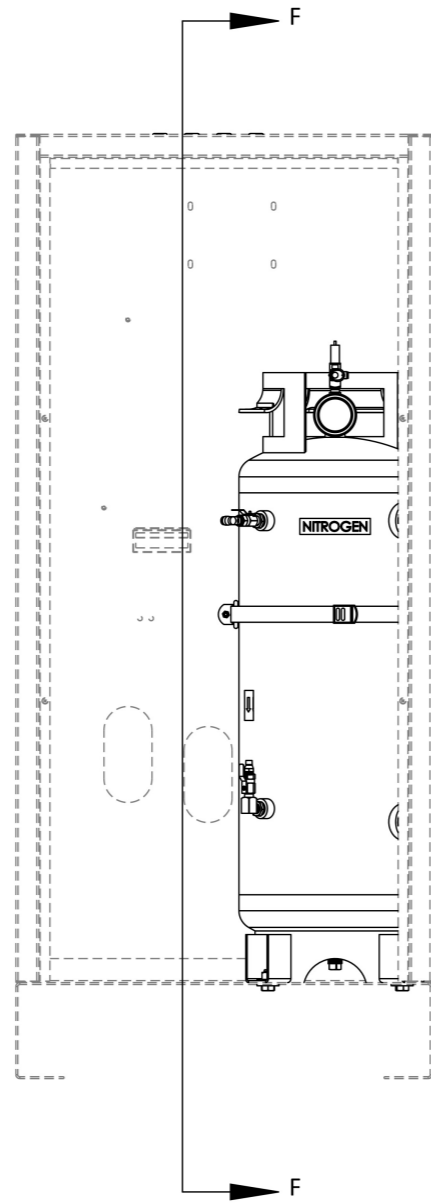


DETAIL D
SCALE 1 : 4



DETAIL E
SCALE 1 : 4

ITEM #	NUMBER	DESCRIPTION	QTY.
1	100785	0.250 NPT M X F MINI BALL VALVE, BRASS	3
2	100916	0.250 NPT X 0.125 NPT BUSHING, BRASS	1
3	100999	0.500 NPT X 0.250 NPT BUSHING, BRASS	3
4	101071	0.250 OD PTL INLINE ACETOL CHECK VALVE	1
5	101271	0.250 NPT STREET ELBOW, BRASS	1
6	101470	0.125 NPT X 0.250 OD PTC ELBOW FLOW CONTROLLER	1
7	101687	0.250 NPT HEX NIPPLE, BRASS	1
8	101880	01.500" NPT SQUARE HEAD PLUG, BLK	2
8	101893	0.500" NPT SQUARE HEAD PLUG, BLACK	1
10	101943	0.250 NPT X 02.000 RMPG, 0-160 PSI	1
11	102066	0.250 NPT X 0.250 OD PTC STRAIGHT	1
12	102175	0.250 NPT SAFETY RELIEF VALVE, 135 PSI, 119 SCFM	1
13	102307	0.250 NPT F TEE, BRASS	1
14	102313	0.250 NPT STREET TEE, BRASS	1
15	102442	LIGHT DUTY PLASTIC BUCKLE	1
16	102550	0.750" METAL PANEL PLUG	4
17	102594	0.500 FLAT WASHER	6
18	102608	#10 SAE FLAT WASHER, ZINC	4
19	102689	0.500-13 HEX NUT	3
20	102692	10-32 NYLOCK NUT	4
21	102799	10-32 X 0.500" PPHMS, ZINC	4
22	102841	0.500-13 X 01.000 HEX HEAD SCREW	3
23	103023	NYLON WEB STRAP	48
24	105917	0.250 NPT X 0.250 OD PTC SWIVEL ELBOW	1
25	108132	NITROGEN LABEL	1
26	108205	D-RING ASSEMBLY	2
27	108277	00014 GAL, 200 PSI TANK, ASME, U STAMPED	1



SECTION F-F