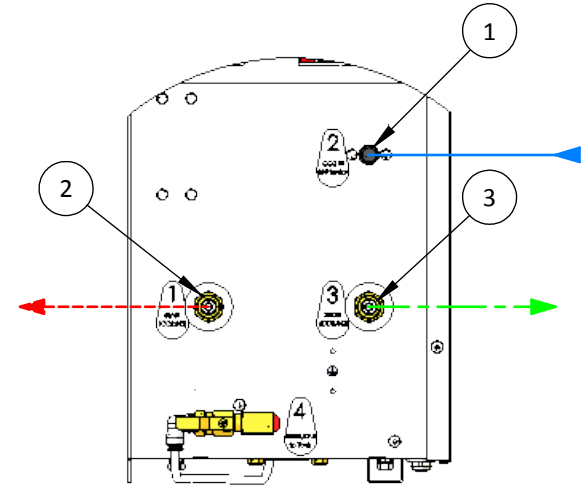


8 7 6 5 4 3 2 1

LINE LEGEND	
	CO2 IN (OPTIONAL)
	25/75 (CO2/N2) BLEND OUT (OPTIONAL)
	N2 OUT TO PROCESS
	60/40 - 70/30 - 50/50 (CO2/N2) BLEND OUT (OPTIONAL)

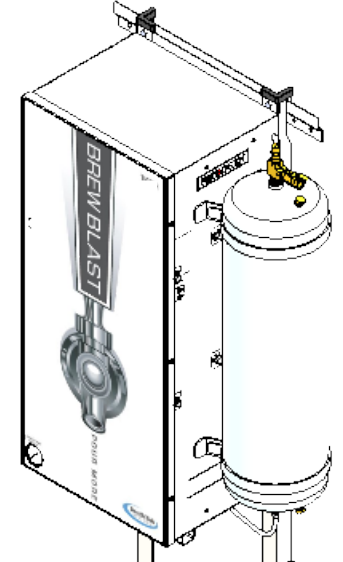
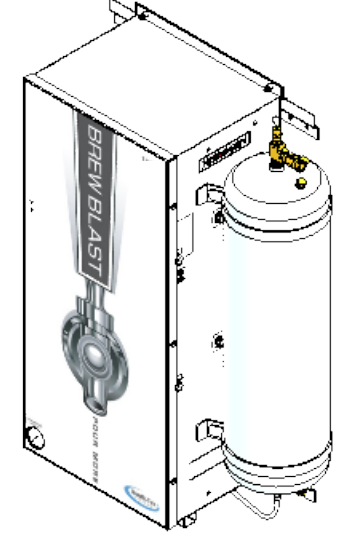
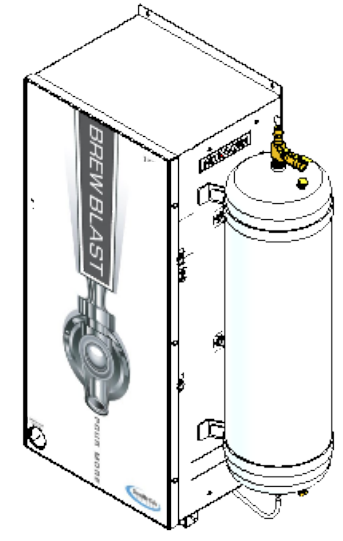
FIELD CONNECTIONS	
ITEM #	DESCRIPTION
1	1/4" NPT F INPUT
2	1/4" NPT F OUTPUT
4	1/4" NPT F OUTPUT
3	1/4" NPT F OUTPUT

D

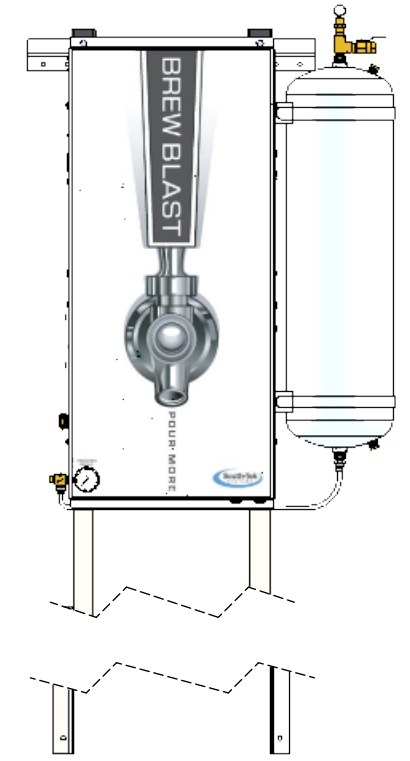
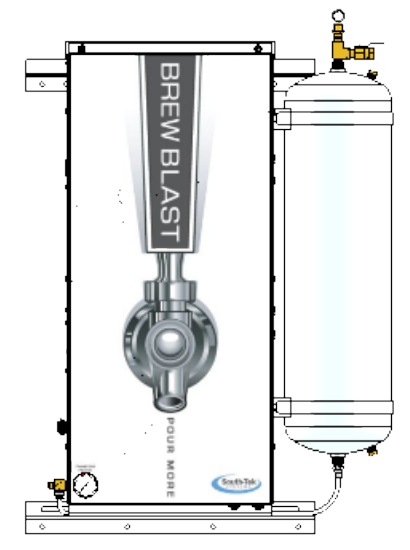
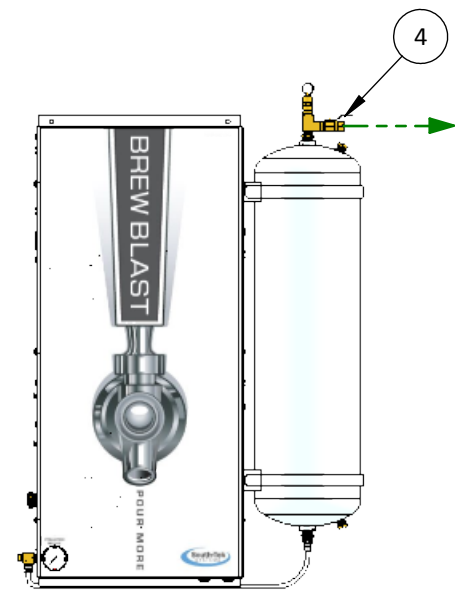
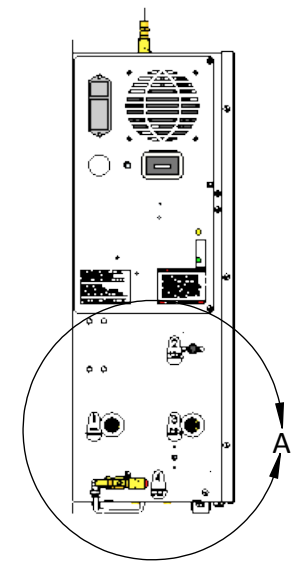


DETAIL A
SCALE 1 : 6

C



B



D

C

B

STANDARD

WITH A05-TYP1P
MOUNTING BRACKETS

WITH A05-TYP1P-B
MOUNTING BRACKETS

A

-	-	-	-	-	-	
A0	-	RELEASE TO DEVELOPMENT	02/07/17	PJS	MRT	
REV	ECR#	SHEET	DESCRIPTION	DATE	DRAWN	APPR.
REVISIONS: ONLY THE LATEST 3 REVISIONS WILL BE SHOWN. OLDER REVISIONS CONSOLIDATED AND FILED.						



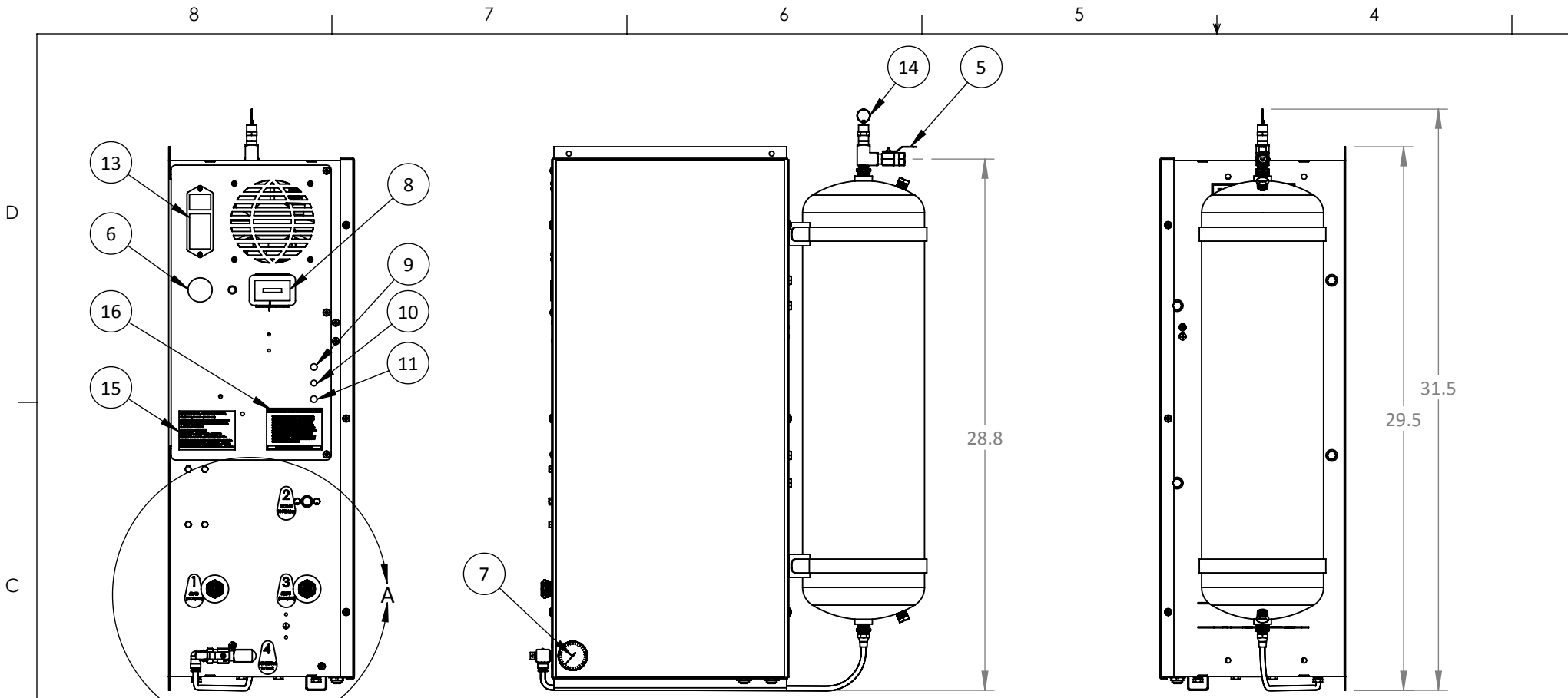
PROPRIETARY AND CONFIDENTIAL
THE INFORMATION CONTAINED IN THIS DRAWING IS THE SOLE PROPERTY OF SOUTH-TEK SYSTEMS. ANY REPRODUCTION IN PART OR AS A WHOLE WITHOUT THE WRITTEN PERMISSION OF SOUTH-TEK SYSTEMS IS PROHIBITED.

MATERIAL:						
FINISH:						
WEIGHT:			PROJECT NAME:			
			BREWBLAST			
UNLESS OTHERWISE SPECIFIED DIMENSIONS ARE IN INCHES						
ANGLES	X.	.X	.XX	.XXX	X/X<10'	X/X>10'
±.5°	±1	±.2	±.03	±.005	±1/16	±1/8

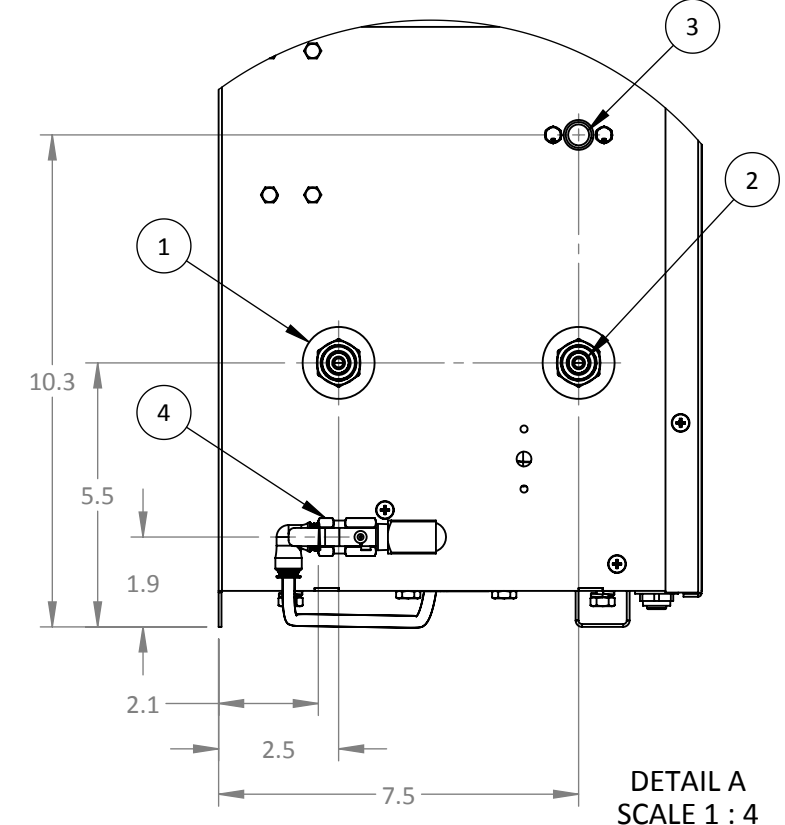
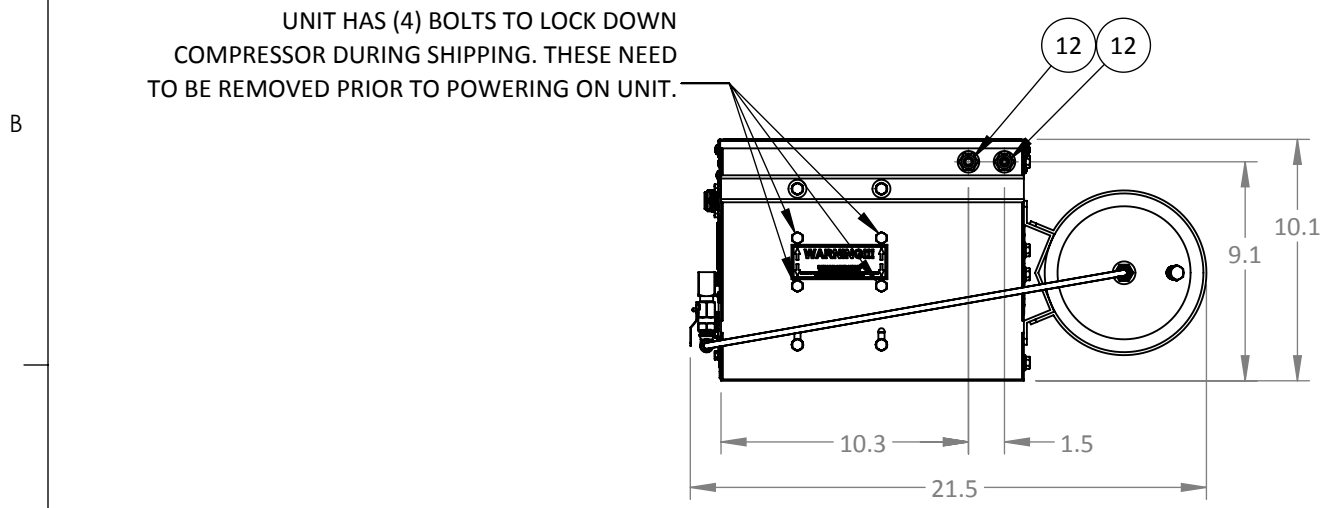
GENERAL ARRANGEMENT - BREWBLAST			DRAWN: PJS	APPROVED: JVN
			DATE: 02/07/17	DATE: 02/07/17
WEIGHT:		PROJECT NAME:	SCALE: NTS	SHEET: 1 OF 1
		BREWBLAST	SIZE: B	REVISION:
NUMBER: GA-RD-074			A0	

8 7 6 5 4 3 2 1

A



EXTERNAL COMPONENTS		
ITEM #	DESCRIPTION	SERVICE
1	1/4" NPT F (OPTIONAL)	60/40 - 70/30 - 50/50 (CO2/N2) BLEND OUT
2	1/4" NPT F (OPTIONAL)	25/75 (CO2/N2) BLEND OUT
3	1/4" NPT F (OPTIONAL)	CO2 IN
4	1/4" NPT BALL VALVE	N2 OUT TO TANK
5	1/4" NPT BALL VALVE	N2 OUT
6	AUDIBLE ELECTRIC BUZZER (OPTIONAL)	BLASTOFF ALARM BUZZER
7	0-100 PSIG PRESSURE GAUGE	N2-STORAGE TANK PRESSURE GAUGE
8	TIMER	TOTAL RUN HOURS
9	AMBER LIGHT	STANBYT INDICATOR
10	RED LIGHT (OPTIONAL)	BLASTOFF INDICATOR
11	GREEN LIGHT	UNIT OPERATING INDICATOR
12	1/4" OD THROUGH-WALL COUPLING	1/4" OD DRAIN
13	POWER ENTRY MODULE	SYSTEM MAIN POWER SUPPLY
14	1/4" NPT SAFETY RELIEF VALVE	TANK PRESSURE PROTECTION
15	ELECTRICAL PANEL AND TERMINAL BLOCK TORQUE SPECIFICATIONS LABEL	
16	BUZZER AND DISPLAY SCREEN WARNING INFORMATION LABEL	



REV	ECR#	SHEET	DESCRIPTION	DATE	DRAWN	APPR.
-	-	-	-	-	-	-
A0	-	-	RELEASE TO DEVELOPMENT	02/07/17	PJS	JVN

REVISIONS: ONLY THE LATEST 3 REVISIONS WILL BE SHOWN. OLDER REVISIONS CONSOLIDATED AND FILED.

South-Tek Systems

PROPRIETARY AND CONFIDENTIAL
THE INFORMATION CONTAINED IN THIS DRAWING IS THE SOLE PROPERTY OF SOUTH-TEK SYSTEMS. ANY REPRODUCTION IN PART OR AS A WHOLE WITHOUT THE WRITTEN PERMISSION OF SOUTH-TEK SYSTEMS IS PROHIBITED.

MATERIAL:
FINISH:
WEIGHT:

UNLESS OTHERWISE SPECIFIED DIMENSIONS ARE IN INCHES

ANGLES	X.	.X	.XX	.XXX	X/X<10'	X/X>10'
±.5°	±1	±.2	±.03	±.005	±1/16	±1/8

BREWBLAST DESIGN DATA AND DIMENSIONS

PROJECT NAME: BREWBLAST

NUMBER: DD-RD-074-BREWBLAST

SIZE: B

SCALE: 1:8

SHEET: 1 OF 1

REVISION: A0

DRAWN: PJS
DATE: 02/07/17

APPROVED: JVN
DATE: 02/07/17