

BEER BLAST

1KPH
3KPH
7KPH
14KPH
(With TWIX)

Operation and
Installation Manual

Version 0; 04/09/2020
© 2020



The Leader in Nitrogen Generation Technology

VERSION HISTORY

Revision	Implemented By	Revision Date	Approved By	Approval Date	Reason
0	N.Alrosan	4/9/20	MRT	5/29/20	PLC Change, and program update

-----Notes Page-----

TABLE OF CONTENTS

1 INTRODUCTION	4
1.1 Purpose	4
1.2 Audience	4
1.3 Important Information	4
2 SAFETY GUIDELINES	5
2.1 General	5
3 SYSTEM DESCRIPTION	6
3.1 Key Features.....	6
3.2 Specifications (BeerBlast™ 1KPH).....	7
3.3 Specifications (BeerBlast™ 3KPH).....	8
3.4 Specifications (BeerBlast™ 7KPH AND N ₂ -GEN™ 7KPH).....	9
3.5 Specifications (BeerBlast™ 14KPH and N ₂ -GEN™ 14KPH).....	10
3.6 System Operations	10
4 PRODUCT INSTALLATION	13
4.1 Unpacking and Preparation (BeerBlast™ 1/3KPH / N ₂ -GEN™ 1/3KPH)	13
4.2 Unpacking and Preparation (BeerBlast™ 7KPH and N ₂ -GEN™ 7KPH)	13
4.3 Unpacking and Preparation (BeerBlast™ 14KPH and N ₂ -GEN™ 14KPH)	13
4.4 Electrical Requirements	14
4.5 Mounting (BeerBlast™ 1/3KPH / N ₂ -GEN™ 1/3KPH).....	14
4.6 Mounting (BeerBlast™ 7KPH and N ₂ -GEN™ 7KPH).....	16
4.7 Installation (BeerBlast™ 1/3/7KPH and N ₂ -GEN™ 1/3/7KPH)	17
4.8 Gas Connection (BeerBlast™ 1/3/7KPH and N ₂ -GEN™ 1/3/7KPH)	21
4.9 Installation (BeerBlast™ 14KPH and N ₂ -GEN™ 14KPH)	23
4.10 Nitrogen Cylinder Back-Up (BeerBlast™ 1/3/7/14KPH and N ₂ -GEN™ 1/3/7/14KPH)	25
4.11 Start-Up Procedures (BeerBlast™ 1/3/7/14KPH and N ₂ -GEN™ 1/3/7/14KPH).....	25
4.12 Checking for Leaks	26
4.13 Access Controls.....	27
4.14 Starting the System	27
4.15 Stopping the System.....	27
5 SYSTEM USAGE	28
5.1 Instructions	28
5.2 Alarm Notification	28
6 SYSTEM MAINTENANCE	29
7 KEY CONTACTS	31
8 FAQs	31
8.1 Power Issues	31
8.2 Pressure Issues.....	31
8.3 Gas Leaks.....	32
8.4 Temperature Issues: Very Common Issue	32
8.5 BlastOff™ - Leak Detection System:	32
APPENDIX A: ADVANCED OPTIONS	33
APPENDIX A: WARRANTY	36

1 INTRODUCTION

1.1 PURPOSE

The BeerBlast™ 1/3/7/14KPH and N₂-GEN™ 1/3/7/14KPH provide an economical, precise means of supplying mixed beer gas to “push” the beer to the tap within restaurant and bar establishments. Beer brewers have established recommended Carbon-Dioxide (CO₂) and Nitrogen (N₂) mixed gas ratios to protect the kegged product quality, eliminating over-foaming or under-carbonation, while increasing the keg life. Precise mixed beer gas lowers operational costs, increases yields/profits, and ultimately provides a higher level of customer satisfaction. This system can also be used for wine or specialty mixed drink dispensing systems.

South-Tek System’s line of BeerBlast™ 1/3/7/14KPH and N₂-GEN™ 1/3/7/14KPH products consist of an internal a) N₂ generator, b) compressor, and c) CO₂ /N₂ dual output gas blender (the N₂-GEN™ 1/3/7/14KPH does not come with a gas blender). Since air is comprised of ~79% N₂, we simply and cost-effectively separate the N₂ from the air. Nitrogen is an inert gas (non-combustible), which is even used to package food products for increased shelf life. The N₂ is “generated” by our pressure swing adsorption (PSA) technology, where compressed air cycles back and forth between two beds. As needed, the high purity N₂ is then forwarded to the integral McDantim™ dual output gas blender (Only in the BeerBlast™ 1/3/7/14KPH models)

which precisely blends the N₂ with the CO₂ from the restaurant/bar’s in house storage cylinder/tank. The standard CO₂/N₂ blends available are 60% / 40% and 25% / 75%. The blends are accurate to within 2%. Custom CO₂/N₂ blends are available if desired.

**The installer and the user should read this manual in its entirety.

1.2 AUDIENCE

This manual is intended for Installer/Restaurant/Bar Operator/Supervisory Staff and should be read in its entirety prior to operation.

Please contact your local Beer Gas provider for any operation and maintenance first prior to contacting the manufacturer.

1.3 IMPORTANT INFORMATION

Before personnel attempt to service the unit, ensure the power switch has been turned to the off position, and then disconnect the unit’s external power cord from the building electrical power supply if possible. Always follow specific manuals from STS when servicing your system.

2 SAFETY GUIDELINES

2.1 GENERAL

Correct use of the BeerBlast™ 1/3/7/14KPH and N₂-GEN™ 1/3/7/14KPH is important for your personal safety and for trouble-free functioning of the BeerBlast™ 1/3/7/14KPH and N₂-GEN™ 1/3/7/14KPH. Incorrect use can cause damage to the BeerBlast™ 1/3/7/14KPH and N₂-GEN™ 1/3/7/14KPH or can lead to incorrect gas supply.

The BeerBlast™ 1/3/7/14KPH models produce a gas blend of Carbon Dioxide (CO₂) and Nitrogen (N₂) at a low flow rate, which quickly dissipates into the air. CO₂ and N₂ gases are not poisonous but they should not be directly inhaled, since in high concentrations, they can cause asphyxiation. **Ensure that the unit is installed within a well-ventilated room, one that is not sealed off from normal living space air changes.**

All personnel involved with installation, operations, and maintenance of the BeerBlast™ 1/3/7/14KPH and N₂-GEN™ 1/3/7/14KPH models must follow safe working practices, OSHA, and local health/safety code regulations during the installation, operation, and maintenance of the unit.

Warning:

- This manual must be read in its entirety to installing and operating the BeerBlast™ 1/3/7/14KPH and N₂-GEN™ 1/3/7/14KPH to prevent accidents and damage to the BeerBlast™ 1/3/7/14KPH and N₂-GEN™ 1/3/7/14KPH.
- Contact your supplier if you detect a problem that you cannot solve with this manual.
- Only use the BeerBlast™ 1/3/7/14KPH and N₂-GEN™ 1/3/7/14KPH in accordance with its designed purpose.
 - This system should be limited specifically to beverage applications of beer, coffee, wine, tea and other mixed drink applications and should be kept out of the splash zone.
- Only service-engineers, that are qualified to work on electric and pneumatic equipment, are allowed to do the installation, maintenance and repairs. Unqualified people are not allowed to repair the equipment.
- Do not tamper or experiment with the equipment or exceed the technical specifications.

3 SYSTEM DESCRIPTION

3.1 KEY FEATURES

The BeerBlast™ 1/3/7KPH/14KPH and N₂-GEN™ 1/3/7KPH/14KPH key features include the following:

- Air compressor
- Air Filters
- Programmable Logic Controller (PLC)
- Pressure Swing Adsorption Beds
- Safety Relief Valves
- N₂ Storage Tank
- Automatic Pressure Cut-in/Cut-out
- McDantim™ dual output gas blender (Only in the BeerBlast™ 1/3/7/14KPH models)
- STS Patented Blast-Off Leak Detection

Air Compressor:

The air compressor is designed internally to the cabinet and features engineered dampening system to reduce vibration and noise throughout the cabinet. It is an oil-less compressor with a pre-filter attached to the air input. The recommended replacement on the pre-filter is 1000 run hours or 1 year (whichever comes first). Dirtier environments may require the filter to be changed out more frequently. Consult your supplier for a different filter maintenance schedule if you are installing the generator in dirty environment.

Air Filters:

The generator has two filters after the air compressor: the particulate and coalescing. The Particulate has a 5-micron filter that will catch any of the larger particles. The Coalescing has a 0.1-micron filter that will catch the remaining smaller particles. Both filters feature an Auto-drain that will drain the water captured after the air compressor. The drain is plumbed to the outside of the cabinet where the end-user can then connect ¼" tubing and drain to a safe location.

Programmable Logic Controller (PLC):

There is an integrated PLC within the cabinet. It features smart and efficient coding to maximize the performance of the generator. It controls the timing and sequencing of the valves to effectively move compressed gas throughout the system. It also has a smart feature to automatically go into different "modes" based on the current run stages. It comes with a visual screen that will display run hours and alarms.

Safety Relief Valves:

Safety Relief Valves have been placed throughout the system for maximum safety. They are designed and put in place to minimize failure of other components. They all come with an ASME stamp.

N₂ Storage Tank:

A N₂ Storage Tank is housed inside the cabinet with manual ball valves and gauge. It is plumbed to an external manual ball valve so that the end-user will not have to do any plumbing within the cabinet.

Automatic Cut-In/Out:

The generator comes with a built-in pressure switch that is tied into the PLC. This will provide a low voltage signal back to the PLC to put the system in a "Standby Mode" when the tank is full of Nitrogen.

McDantim™ dual output gas blender:

Precisely blends N₂ with CO₂ from the restaurant/bar's in-house storage cylinder / tank. The standard CO₂ /N₂ blends available are 60% / 40% and 25% / 75%. The blends are accurate to within 2%. Custom CO₂ /N₂ blends are available if desired.

Patented Blast-Off Leak Detection:

The Blast-Off Leak Detection will provide the end-user with an alarm when it detects characteristics of a leak somewhere on the system. It will trigger an audible alarm, display it on the screen, and the end-user can tie into the dry contact so that the alarm can be relayed back to the Building Management System (BMS).

3.2 SPECIFICATIONS (BEERBLAST™ 1KPH)

BeerBlast™ 1KPH and N ₂ -GEN™ 1KPH – Specifications	
Nitrogen Purity	99.8+%
Kegs per Hour	1
Installation	Wall Mounted
Display	Hours/Power on/Operating/Standby
N ₂ Storage Pressure	70-85 PSIG
CO ₂ Gas	75-100 (min/max) PSIG (Only in BeerBlast™ 1KPH)
Available Blends	60/40 & 25/75 (CO ₂ /N ₂) *Factory Set, Not Field Adjustable
Blend Outlet Pressure	40-50 PSIG min (Only in BeerBlast™ 1KPH)
Outlet Port Connections	1/4" NPT Female
Electrical	110 or 220VAC / 50-60Hz / 1Phase; 20 Amp Breaker
Compressor	Integral / Oil-Free
Ambient Temperature	40° to 85°F
Noise Level (dB)	< 75 dB
Size	12.75" W x 12" D x 27" H (Cabinet Dimensions)
Weight	75 lbs

3.3 SPECIFICATIONS (BEERBLAST™ 3KPH)

BeerBlast™ 3KPH and N ₂ -GEN™ 3KPH – Specifications	
Nitrogen Purity	99.7+%
Kegs per Hour	3
Installation	Wall or Tank Mounted
Display	Hours/Power On/Operating/Standby
N ₂ Storage Pressure	70-85 PSIG
CO ₂ Gas	75-100 (min/max) PSIG (Only in BeerBlast™ 3KPH)
Available Blends	60/40 & 25/75 (CO ₂ /N ₂) *Factory Set, Not Field Adjustable
Blend Outlet Pressure	40-50 PSIG min (Only in BeerBlast™ 3KPH)
Outlet Port Connections	1/4" NPT Female
Electrical	110 or 220VAC / 50-60Hz / 1Phase; 20 Amp Breaker
Compressor	Integral / Oil-Free
Ambient Temperature	40° to 85°F
Noise Level (dB)	< 75 dB
Size	12.75" W x 12" D x 27" H (Cabinet Dimensions)
Weight	75 lbs

3.4 SPECIFICATIONS (BEERBLAST™ 7KPH AND N₂-GEN™ 7KPH)

BeerBlast™ 7KPH and N ₂ -GEN™ 7KPH – Specifications	
Nitrogen Purity	99.8+%
Kegs per hour	7
Installation	Wall Mounted
Display	Run Hours / Run Status / Alarm Status
N ₂ Storage Pressure	70-85 PSIG
CO ₂ Gas Requirement	75-100 (min/max) PSIG
Available Blends	60/40 & 25/75 (CO ₂ /N ₂) *Factory Set
Blend Out Pressure	40-50 PSIG min
Cabinet Port Connections	1/4" NPT Female
Electrical	110 or 220V / 50-60Hz / 1Phase; 20 Amp Breaker
Compressor	Integral / Oil-Free
Ambient Temperature	40° to 90°F
Noise Level (dba)	< 75 dba
Size	12.75" W x 10" D x 29.5" H (Cabinet Dimensions)
Weight	Appx. 85 lbs

3.5 SPECIFICATIONS (BEERBLAST™ 14KPH AND N₂-GEN™ 14KPH)

BeerBlast™ 14KPH and N ₂ -GEN™ 14KPH – Specifications	
Nitrogen Purity	99.8+%
Kegs per hour	14
Installation	Floor standing
Display	Run Hours / Run Status / Alarm Status
N ₂ Storage Pressure	70-85 PSIG
CO ₂ Gas Requirement	75-100 (min/max) PSIG
Available Blends	60/40 & 25/75 (CO ₂ /N ₂) *Factory Set
Blend Out Pressure	40-50 PSIG min
Cabinet Port Connections	1/4" NPT Female
Electrical	110-125V or 220-240V / 50-60Hz / 1Phase; 20 Amp Breaker
Compressor	Integral / Oil-Free
Ambient Temperature	40° to 90°F
Noise Level (dbA)	< 75 dbA
Size	26" W x 18" D x 59" H (Cabinet Dimensions)
Weight	Appx 265 lbs

3.6 SYSTEM OPERATIONS

The system has two standard run modes – Run and Standby. When the power switch is turned on, the controller will automatically determine which mode to enter and will display the current mode on the screen – “RUNNING” or “STANDBY”. The layout of the controller can be seen below.



System Status

“Run” mode is when the BeerBlast™ 1/3/7KPH/14KPH or N₂-GEN™ 1/3/7KPH/14KPH is producing nitrogen and supplies it to the storage tank. The system will automatically enter “Standby” mode when the tank is fully pressurized (65-75 psig) for 1/3KPH and (75-85 psig) for 14KPH. It will remain in “Standby” mode until the tank pressure falls 7-10 psig.

System Mode

- **Blastoff® Simulation** – Hold the (Set Button) for 7 seconds Passcode Screen will pop up,

1. Press the (Set Button) one time to activate data entry, Enter (6557) using the (Up and Down Buttons)
2. Press the (ENT Button) to confirm the entry.

It will bring (HOLD SET) Screen, to simulate the Blastoff, press and hold the Set Button for 5 seconds this will simulate the Blastoff and trip the alarm dry contact in the unit (if installed) for 2 seconds so that proper functioning can be confirmed.



• **Filter Change Reset** – When a new FRP (Filter Replacement Kit) is installed, the 1000-hour filter change time must be reset. After replacing the filter elements, press and hold the Filter Change Reset Button (Down Button) for 7 seconds. An audible beep and a display of “**FILTER RESET**” will confirm that the time is reset and filter alarm will be reset. (Note: resetting this will also trigger the Customer Alarm Relay for one second if it’s available)

- **Communication**

(1) (Modbus RTU)

Modbus (RTU) is optional feature our generator offers to our customer to monitor the unit from BMS (Building Management System).

MODBUS communication can be set up to retrieve real time data. The nitrogen generator

MODBUS Communication settings are as follows:

- Protocol: RTU
- Slave ID: 1
- PLC Controller: Slave
- Bud rate: 119200
- Data Bits: 8
- Parity: none
- Stop Bits: 2

See MODBUS addressing table below:

Function	Data Type	Modbus RTU Address	Units/Status	Read/Write
Running / Standby	BOOL	00012	0=Standby, 1=Running	R
BlastOff Alarm	BOOL	00015	0=Good, 1=Alarm	R
Filter Alarm	BOOL	00029	0=Good, 1=Alarm	R
Filter Reset Confirm	BOOL	00031	0=Good, 1=Alarm	R
Filter Hours	Register	40019	xxxxx.x / hours	R

(2) Analog output (4-20 OUT)

Another useful and optional feature of (FPS) Reliable System units an analog signal output (4-20 mA) for current readings of different data points as follow:

- (i) Ambient temperature "4-20 out dEGr.F"
- (ii) Oxygen content (percent) "4-20 out p.CEnt"
- (iii) Oxygen content (ppm) "4-20 out trACE"
- (iv) Supply Pressure "4-20 out prEss"

To setup the analog out:

- 1) Hold the (Set Button) for 5 seconds Passcode Screen will pop up
- 2) Press the (Set Button) one time to activate data entry, Enter (6557) using the (Up and Down buttons)
- 3) Press the (ENT Button) to confirm the entry.

It will bring (Hold Set) Screen, press (NEXT) button to get to the analog output screen "4-20 out", Using the (up and down buttons) buttons to change type of sensor, to confirm press (Set button). To exits menu press (Next button) to get back to main screen "running or standby".

Note: For analog output standard units (without advanced options) only will offer ambient temperature signal, check appendix A.

4 PRODUCT INSTALLATION

4.1 UNPACKING AND PREPARATION (BEERBLAST™ 1/3KPH / N₂-GEN™ 1/3KPH)

The BeerBlast™ 1KPH / N₂-GEN™ 1KPH is packaged in a cardboard box, should be carefully opened, and all parts should be inspected for damage upon receipt. Identify and verify that all parts listed on the packing list are present and undamaged. STS is not responsible for damages that have occurred during the shipping and handling of the BeerBlast™ 1KPH / N₂-GEN™ 1KPH. Any visual damages should be immediately documented and reported to the shipping company responsible. After the shipping company has been notified, contact STS at (888) 526-6284 to assess the damages.

Until Installation:

- Store the BeerBlast™ 1KPH / N₂-GEN™ 1KPH in a dry and climate controlled (60-80°F) room.
- Always keep the BeerBlast™ 1KPH / N₂-GEN™ 1KPH in an upright position, or in box as shipped.
- Do not connect the AC power cable until this manual has been read completely and all connections are made as stated within.
- Keep all gas lines dry so that moisture does not enter the generator upon hookup.
- Never place or stack objects on top of the BeerBlast™ 1KPH / N₂-GEN™ 1KPH.

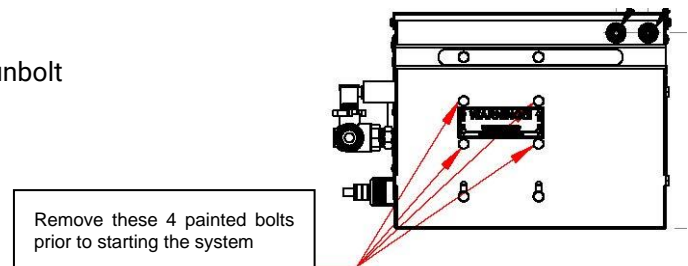
4.2 UNPACKING AND PREPARATION (BEERBLAST™ 7KPH AND N₂-GEN™ 7KPH)

The BeerBlast™ 7KPH and N₂-GEN™ 7KPH's cardboard carton should be carefully opened and all parts should be inspected for damage upon receipt. Identify and verify that all parts listed on the packing list are present and undamaged. South-Tek Systems (STS) is not responsible for damages that have occurred during the shipping and handling of the BeerBlast™ 7KPH or N₂-GEN™ 7KPH. Any visual damages should be immediately documented and reported to the shipping company responsible. Then, contact STS at (888)526-6284 to assess the damages only after the shipping company has been notified.

Until Installation:

- Store the BeerBlast™ 7KPH or N₂-GEN™ 7KPH in a dry and climate controlled (60-80°F) room.
- Always keep BeerBlast™ 7KPH or N₂-GEN™ 7KPH in an upright position / or in box as shipped.
- Do not connect the AC power cable until this manual has been read completely and all connections are made as stated within.
- Keep all gas lines dry so moisture does not enter the generator upon hookup.
- Never place/stack objects on top of the BeerBlast™ 7KPH or N₂-GEN™ 7KPH.

Once the BeerBlast™ 7KPH or N₂-GEN™ 7KPH is mounted, unbolt the four (4) painted bolts at the bottom of the cabinet.



4.3 UNPACKING AND PREPARATION (BEERBLAST™ 14KPH AND N₂-GEN™ 14KPH)

The BeerBlast™ 14KPH or N₂-GEN™ 14KPH will arrive in a wooden crate. Open the side noted, "Open this side". Once the crate is opened, inspect all parts for any damage upon receipt. Take any pictures upon arrival of the crate, of damages done during shipping. Identify and verify that all parts listed on the packing list are present and undamaged. South-Tek Systems (STS) is not responsible for damages that have occurred during the shipping and handling of the BeerBlast™ 14KPH or N₂-GEN™ 14KPH. Any visual damages should be immediately documented and reported to the

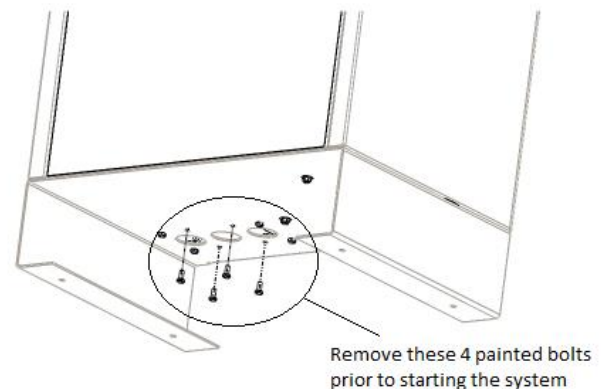
shipping company responsible. Then, contact STS at (888)526-6284 to assess the damages only after the shipping company has been notified.

Until Installation:

- The BeerBlast™ 14KPH or N₂-GEN™ 14KPH can be stored inside the wooden crate until installation. For extended storage of over a month, open and insert desiccant bags as needed to prevent moisture buildup.
- Store the BeerBlast™ 14KPH or N₂-GEN™ 14KPH in a dry and climate controlled (40-0°F) room.
- Always keep the BeerBlast™ 14KPH or N₂-GEN™ 14KPH in an upright position.
- Do not connect the AC power cable until this manual has been read completely and all connections are made as stated within.
- Keep all gas lines dry so moisture does not enter the generator upon hookup.
- Never place/stack objects on top of the BeerBlast™ 14KPH or N₂-GEN™ 14KPH.

To remove the BeerBlast™ 14KPH or N₂-GEN™ 14KPH from the crate, unbolt the cabinet base from the crate. Carefully, lift the unit from the crate and set it on the floor. The use of a floor jack is advisable to move it to the final location. Once in place, unbolt the 4 colored bolts at the bottom of the cabinet.

Carefully, break down the crate and store in a safe location in case that it may need to be sent back to the factory for service.



4.4 ELECTRICAL REQUIREMENTS

The BeerBlast™ 7/14KPH and N₂-GEN™ 7/14KPH requires 110-125V or 220-240V / 50-60 hz / 1ph connection depending on which voltage was specified at the time of purchase. It has a built-in 20A circuit breaker and a standard 3-prong US power cord is provided for the electrical connection. The system is UL 508A ICP approved. Electrical schematic available upon request.

4.5 MOUNTING (BEERBLAST™ 1/3KPH / N₂-GEN™ 1/3KPH)

The BeerBlast™ 1/3KPH / N₂-GEN™ 1/3KPH can be mounted to a wall or on a floor or optionally supplied mounted on a tank for 3KPH units only. It is recommended that the BeerBlast™ 1/3KPH / N₂-GEN™ 1/3KPH be mounted to a weight-bearing wall that can support its weight as specified in Specifications (BeerBlast™ 7KPH AND N₂-GEN™ 7KPH). If mounted on a tank, the tank should be fastened in place so that it cannot move or fall over due to vibration. The BeerBlast™ 1/3KPH should always be installed indoors in an environment between 40° and 85° F in the upright position where it will not be damaged by water or moving equipment. Leave at least 6" on the left side of the cabinet for ventilation. 36" of space is recommended for access to the control panel, tube/pipe connections, and the front cover. There is a ¼" OD tube drain port on the bottom right of the cabinet. This can be plumbed to the nearest site drain.

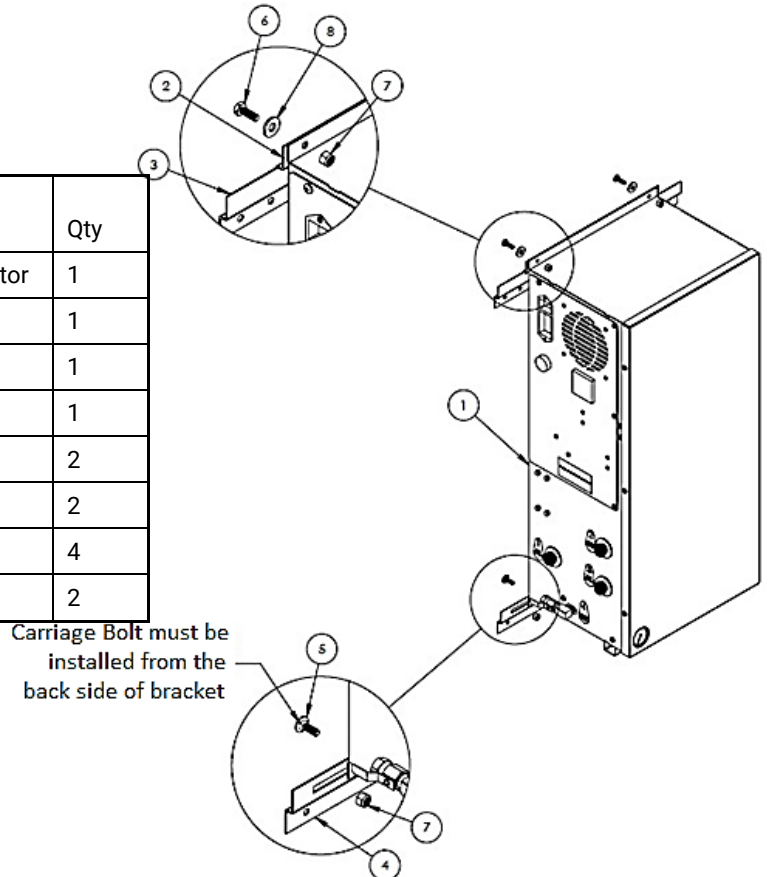
There is an optional mounting bracket kit (STS Part #: A05-TYP1-WH), that allows you to mount the system on a standard 16" wall stud width. Otherwise, use the mounting holes on the cabinet for mounting the BeerBlast™ 1/3KPH securely and level, directly to the wall. There is an optional tank mounting kit (STS Part #A05-TYP1P-TM) for 3KPH only that comes with a 15 gallon ASME tank and beverage connections.

Optional Mounting Bracket Kit Procedures

1. All BeerBlast™ 1/3KPH mounting holes and optional mounting bracket holes are for ¼" screws/anchors.
2. All brackets must be installed in orientation as shown to work correctly.
3. Install the cabinet-mounting brackets on the BeerBlast™ 3KPH first with the provided bolts/lock nuts.
4. Locate the wall-mounting bracket. It is an 18" bracket without the rectangular cutouts and will need to be installed on the wall at the desired height and level. The bracket has 16" center to center holes so the unit can be mounted directly to studs. This bracket will need to be mounted per the diagram below using the appropriate hardware for your type of wall material (wood, sheet metal, masonry, etc.). The 12" bracket that is fastened to the top flange of the cabinet can be hung from the 18" bracket once the 18" bracket has been mounted to the wall. Reference the diagram below to see how the angles are to be oriented on the back of the cabinet in comparison to the wall.
 - a. Use the supplied nuts and bolts to attach the upper 12" bracket onto the top flange per the diagram.
 - b. Use the supplied carriage bolts and nuts to attach the 18" lower bracket to the bottom flange, but do not overtighten the nuts yet. After installing the system, you may want to offset the bracket slightly, hence the rectangular slots.
5. Optional: If wall studs are not 16" center to center or you have the need to reinforce the mounting area, a ½" or thicker plywood is recommended to be installed prior to hanging the system. Use best general practices to ensure that the wood and system will be secure at its full weight and remember that it will be vibrating from the compressor running.
6. Once the mounting brackets are all in place, hang the BeerBlast™ 1/3KPH cabinet from the top bracket making sure it is centered.
 - a. The cabinet should have at least 4" on either side for breathing/cooling purposes.
 - b. Do not install near heat source or where steam or water is present. Damage to system or bodily harm may result as well as voiding warranty.

Warning: Secure the BeerBlast™ 1/3KPH to the wall at the top and bottom flanges. Failure to do so could cause damage or bodily injury.

Item #	STS Part #	Description	Qty
1	BB™ 3KPH	BeerBlast 1/3KPH or Nitrogen Generator	1
2	800-133	S-100/200 12" Mounting Bracket	1
3	800-134-B	S-100/200/400 18" Mounting Bracket	1
4	800-129	Type 1 Lower Wall Mount Bracket	1
5	Misc	0.250" -20 x 0.750" Carriage Bolt	2
6	Misc	0.250" -20 x 0.750" Hex Cap Screw	2
7	Misc	0.250" Nylock Nut	4
8	Misc	0.250" Flat Washer	2



4.6 MOUNTING (BEERBLAST™ 7KPH AND N₂-GEN™ 7KPH)

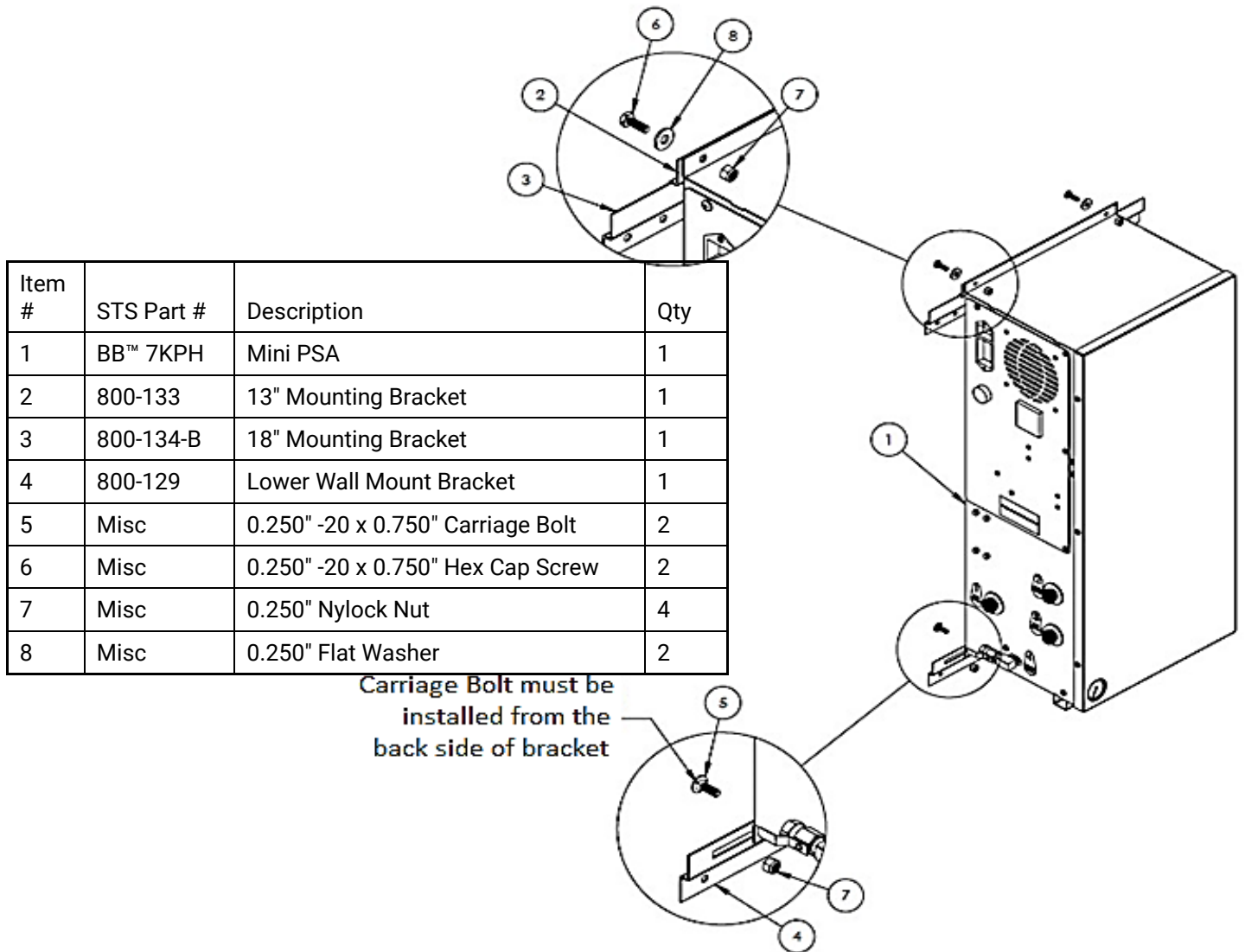
The BeerBlast™ 7KPH and N₂-GEN™ 7KPH can be mounted to a wall or placed on a floor. It is recommended that the BeerBlast™ 7KPH and N₂-GEN™ 7KPH be mounted to a weight-bearing wall that can support its weight as specified in Specifications (BeerBlast™ 7KPH AND N₂-GEN™ 7KPH). If placed on the floor, it should still be fastened in place so that it cannot move due to vibration or damaged from falling over. The BeerBlast™ 7KPH and N₂-GEN™ 7KPH should always be installed indoors, in an environment between 40° and 90° F, in the upright position where it will not be damaged by water or moving equipment. Leave at least 6" on the left side of the cabinet for ventilation, but 36" is recommended for access to the control panel, tube/pipe connections, and the front cover. There is a ¼" OD tube drain port on the bottom right of the cabinet. This can be plumbed to the nearest site drain.

There is an optional mounting bracket kit (STS Part #: A05-TYP1-RD), that allows you to mount the system on a standard 16" wall stud width. Otherwise, use the mounting holes on the cabinet for mounting the BeerBlast™ 7KPH and N₂-GEN™ 7KPH securely and level, directly to the wall.

Optional Mounting Bracket Kit Procedures

7. All BeerBlast™ 7KPH and N₂-GEN™ 7KPH mounting holes and optional mounting bracket holes are for ¼" screws/anchors.
8. All brackets must be installed in orientation as shown to work correctly.
9. Install the cabinet-mounting brackets on the BeerBlast™ 7KPH or N₂-GEN™ 7KPH first with the bolts/lock nuts that are provided.
10. Locate the wall-mounting bracket. It is an 18" bracket without the rectangular cutouts and will need to be installed on the wall at the desired height and level. The bracket has 16" center to center holes so the unit can be mounted directly to studs. This bracket will need to be mounted, per the diagram below, using fasteners appropriate for your type of wall material (wood, sheet metal, masonry, etc....). Once the 18" bracket has been wall mounted, this will allow the 13" bracket that is fastened to the top flange of the cabinet a fixed anchor to hang from. See diagram as to how the angles are to be oriented on the back of the cabinet vs the wall.
 - a. Use the supplied nuts and bolts to attach the upper 13" bracket onto the top flange per the diagram.
 - b. Use the supplied carriage bolts and nuts to attach the 18" lower bracket to the bottom flange, don't overtighten the nuts yet. After installing the system, you may want to offset the bracket slightly, hence the rectangular slots.
11. Optional: if wall studs are not 16" center to center or you have the need to reinforce mounting area, a ½" or thicker plywood is recommended to be installed prior to hanging the system. Use best general practices to ensure that the wood and system will be secure at its full weight and remember that it will be vibrating from the compressor running.
12. Once the mounting brackets are all in place, hang the BeerBlast™ 7KPH or N₂-GEN™ 7KPH cabinet from the top bracket making sure it is centered.
 - a. The cabinet should have at least 6" on either side for breathing/cooling purposes.
 - b. Do not install near heat source or where steam or water is present. Damage to system or bodily harm may result as well as voiding warranty.

Warning: Secure the BeerBlast™ 7KPH or N₂-GEN™ 7KPH to the wall at the top and bottom flanges. Failure to do so could cause damage or bodily injury.



4.7 INSTALLATION (BEERBLAST™ 1/3/7KPH AND N₂-GEN™ 1/3/7KPH)

The BeerBlast™ 7KPH with Mixed Gas Dispense System or the N₂-GEN™ 7KPH can be installed for one or multiple CO₂/ N₂ blends. It is necessary to use caution when working with pressurized gas, making sure that all fittings and gas lines are installed correctly. Always leak check every line before using the system.

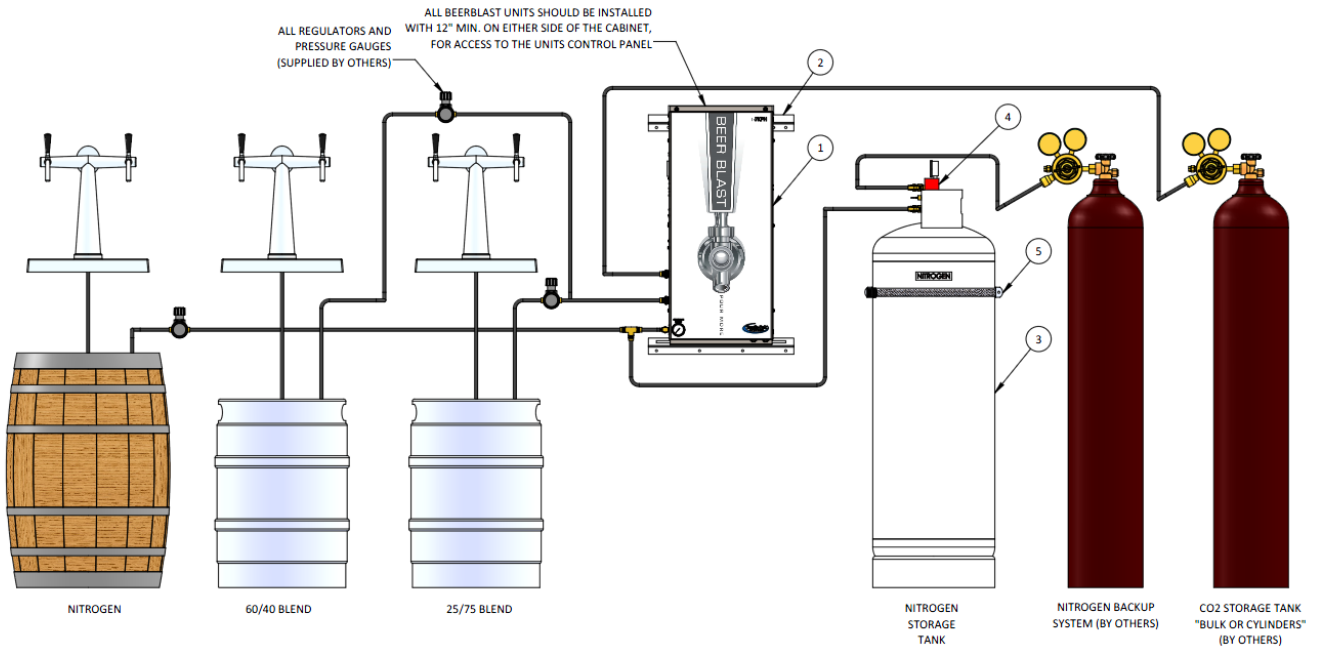
Note: Line leaks will cause the BeerBlast™ 1/3/7KPH and N₂-GEN™ 1/3/7KPH to run excessively, shortening its life.

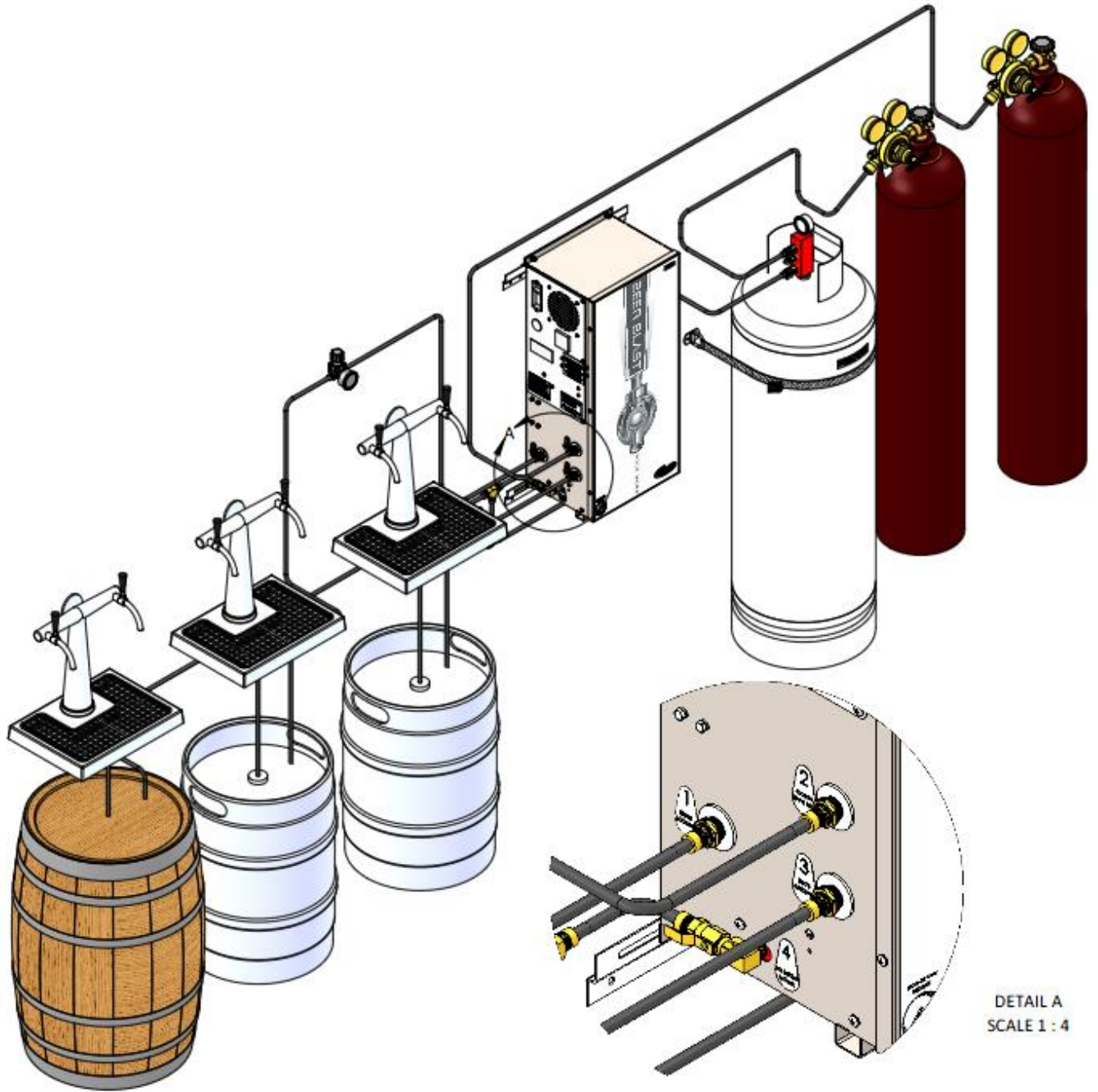
The BeerBlast™ 1/3/7KPH supplies 99.8+% nitrogen as standard, but a gas blend (of N₂ and CO₂) can be added as an option. These lines can be split individually to provide the correct gas and/or blended gas to all of the beverage lines. Use only quality beverage tubing and fittings for all connections. Keep in mind the temperature and pressure requirements when selecting them.

Always install a valve (on/off) on each individual line. This will help with troubleshooting the system. Never detach a line with pressure on it before closing the valve; this could cause damage to the equipment or bodily injury. Also avoid depressurizing the keg at all costs; this will negatively affect the beer quality. Always shut off the valve and remove the tap from the keg before changing or servicing the gas lines.

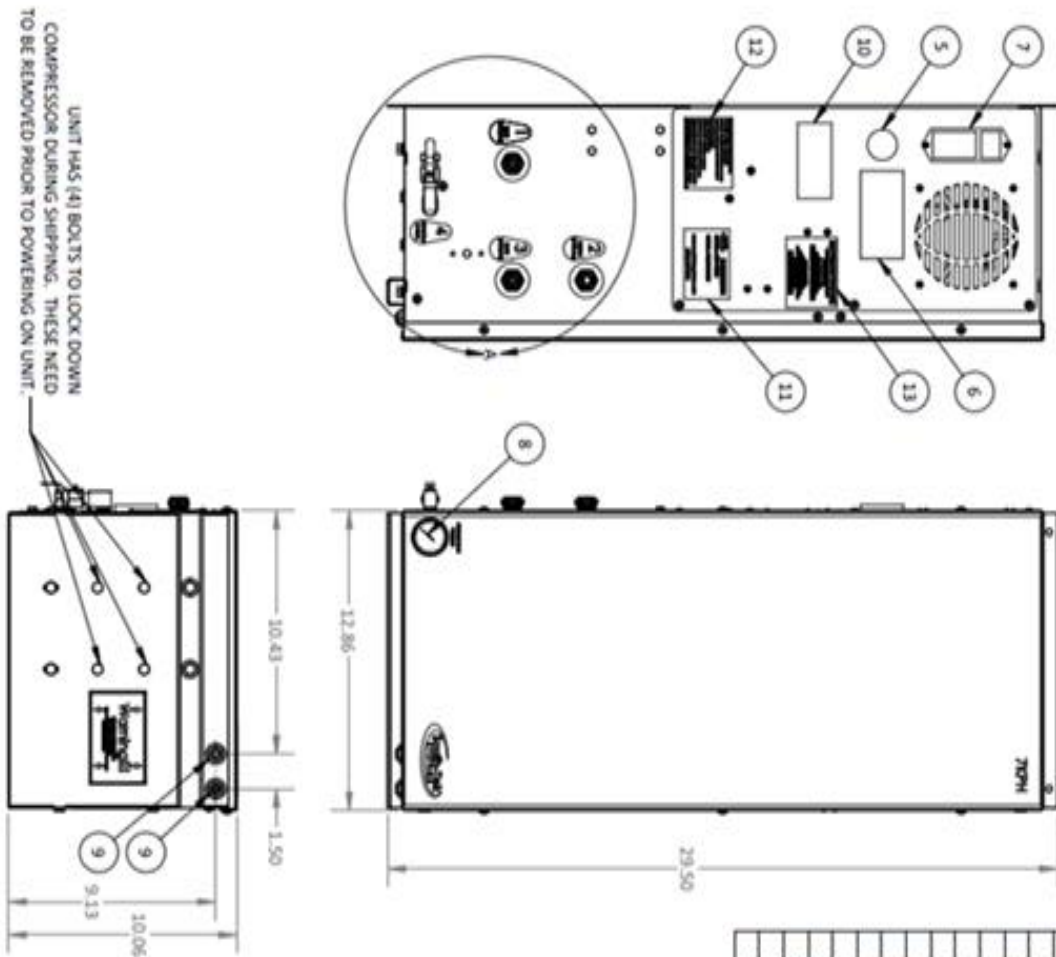
Two condensate drains for the generator are located on the bottom right of the cabinet. It is the responsibility of the installer to plumb these drains to an area where standing water is trapped or a drain is located. Failure to do so can cause a slipping hazard on the floor below the generator.

If your system requirements are more involved, please consult your sales representative or equipment installer for a customized installation drawing.

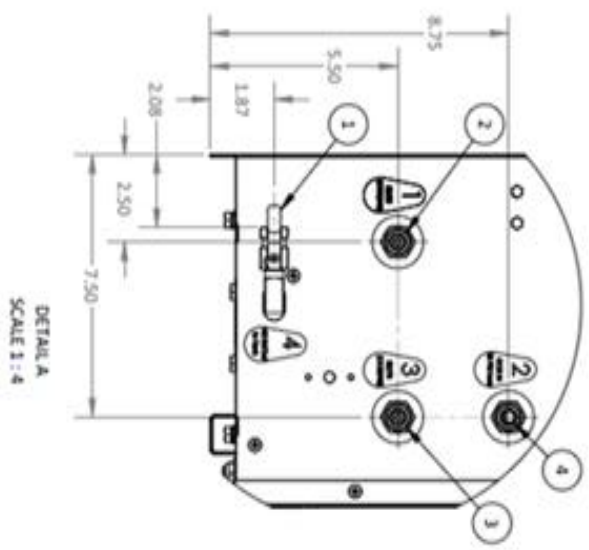




DETAIL A
SCALE 1 : 4

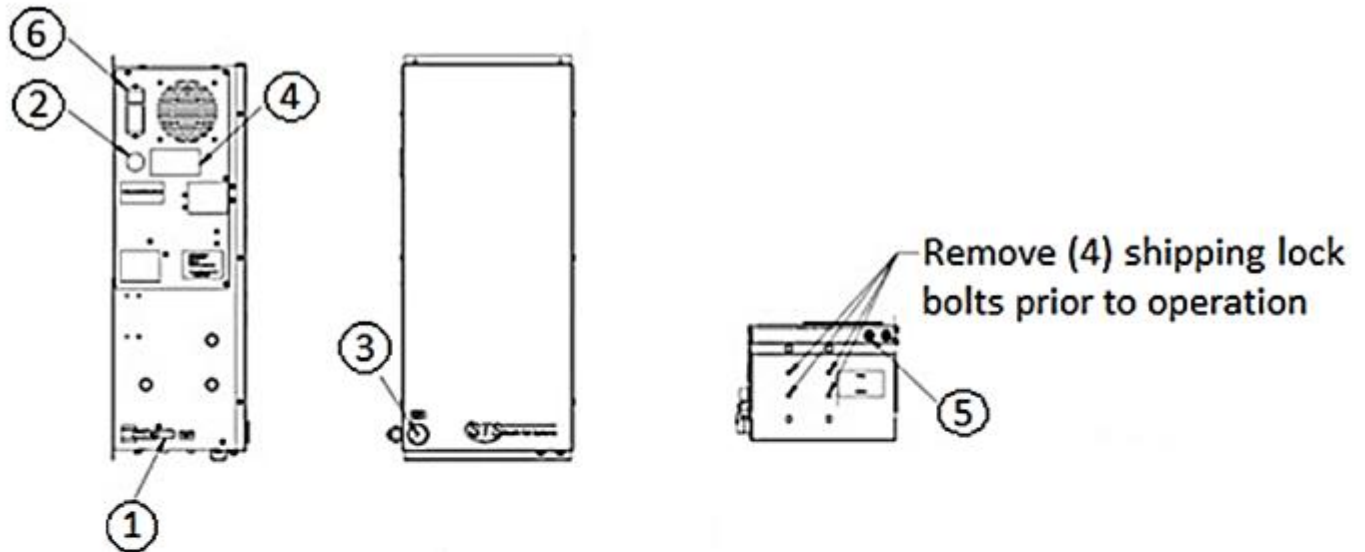


ITEM #	DESCRIPTION	SERVICE
1	1/4" NPT Ball Valve	NITROGEN OUT
2	1/4" NPT Ball Valve (SEE NOTE 1)	60/40 - 70/30 - 50/50 (CO ₂ /N ₂) BLEND OUT
3	1/4" NPT Ball Valve	25/75 (CO ₂ /N ₂) BLEND OUT
4	1/4" NPT Ball Valve	CO ₂ IN
5	AUDIBLE ELECTRIC BUZZER	OPTIONAL BLASTOFF ALARM BUZZER
6	PLC	SYSTEM CONTROLLER
7	POWER ENTRY MODULE	SYSTEM POWER SUPPLY
8	0-160 PSIG GAUGE	NITROGEN STORAGE TANK PRESSURE
9	1/4" OOD PTC BULKHEAD	NITROGEN STORAGE TANK PRESSURE DRAIN LINE CONNECTIONS
10	UL 508A OPEN INDUSTRIAL CONTROL PANEL CERTIFICATION LABEL	
11	UNIT SERIAL NUMBER LABEL	
12	ELECTRICAL PANEL SPECIFICATIONS LABEL	
13	BUZZER OR DISPLAY SCREEN WARNING INDICATOR	

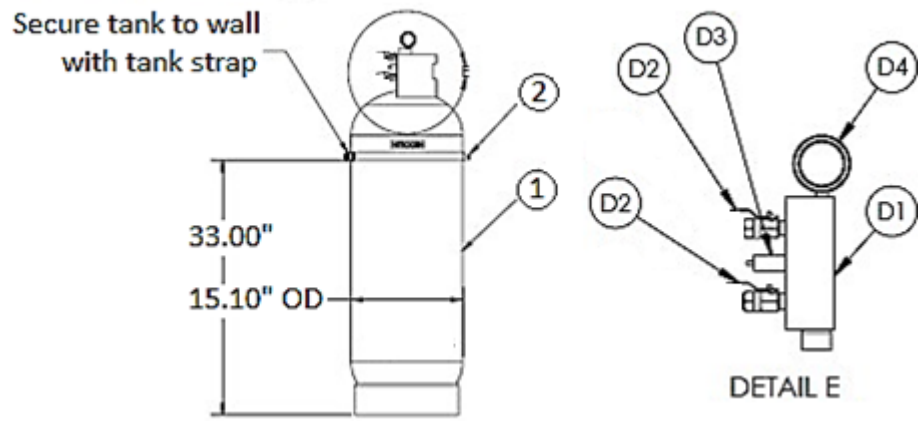


4.8 GAS CONNECTION (BEERBLAST™ 1/3/7KPH AND N₂-GEN™ 1/3/7KPH)

See figures below for panel layout and gas connections. Double-check all connection locations before turning on the system or opening any valves. Note: All BeerBlast™ 1/3/7KPH and N₂-GEN™ 1/3/7KPH models are factory equipped with 1/2" NPT Female connections.



External Components		
Item #	Description	Service
1	1/4" NPT Ball Valve	N2 Out
2	Audible Electric Buzzer	Audible Alarm
3	1/8" NPT x 1-1/2" 100 PSIG Gauge	N2-Storage Pressure
4	PLC	System Controller
5	1/4" OD Through-Wall Coupling	1/4" OD Drain
6	Power Entry Module, 20 Amp	System Main Power Connection



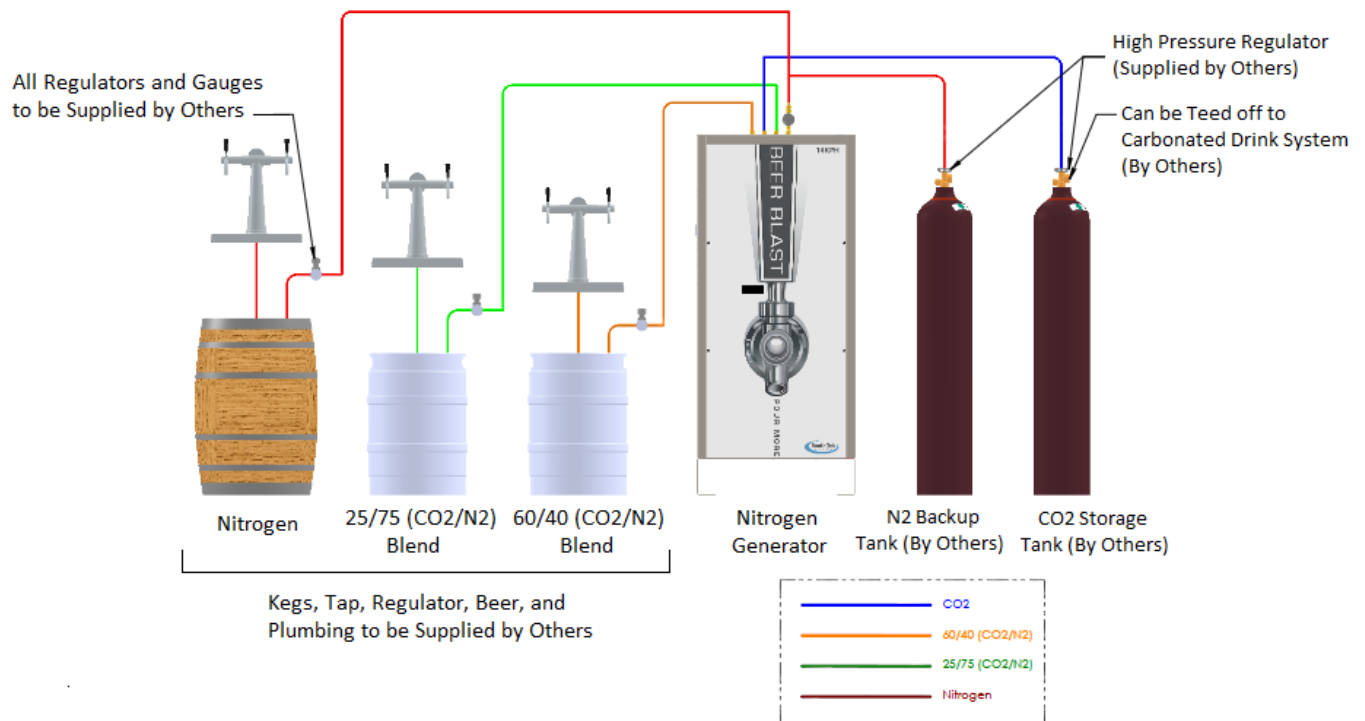
Item #	STS Part #	Description	Qty
1	800-111	100# White Tank w/ Label	1
2	A01-0100-A	100# Tank Strap Assembly	2
3	005-039	Tank Manifold w/ 0.250" Fittings	1

Item #	STS Part #	Description	Qty
D1	800-245-A	Tank Manifold	1
D2	124-308	0.250" NPT M x F Ball Valve, Brass	2
D3	124-335-A	0.250" Safety Relief, 115 PSIG	1
D4	124-125	0.250" NPT x 02.000" 1-160 PSIG Gauge	1

Figure 1: 100# N₂ Storage Tank Setup

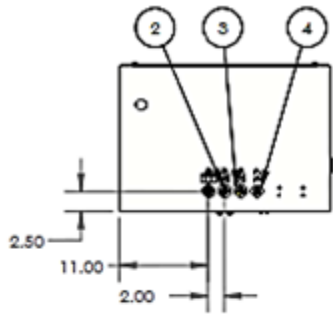
4.9 INSTALLATION (BEERBLAST™ 14KPH AND N₂-GEN™ 14KPH)

The BeerBlast™ 14KPH and N₂-GEN™ 14KPH needs to be installed on a hard, flat surface capable of supporting 300+ lbs. There are (4) anchor bolt holes on the support legs that can be used to secure the unit to the floor. It is not required to be anchored, but always follow any site/local codes regarding securing equipment. The unit's back side and right side can be pushed all the way against the wall. Leave at least 6" on the left side of the cabinet for ventilation, but 36" is recommended for access to the control panel (otherwise, the unit will need to be pulled out to read the display). There are also two ¼" OD drain ports on the left side of the cabinet. These can be plumbed to the nearest site drain. The front side of the cabinet requires 36" minimum to gain access to the front door and perform routine maintenance. Leave enough clearance room on the top of the cabinet for gas line connections. The N₂-GEN™ 14KPH will have the first 3 ports plugged as there is not an internal blender.

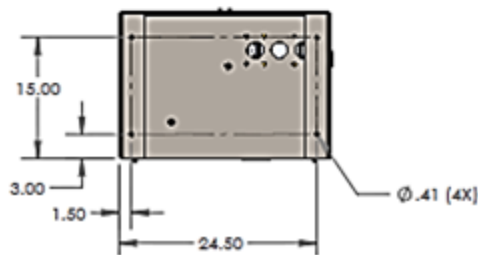
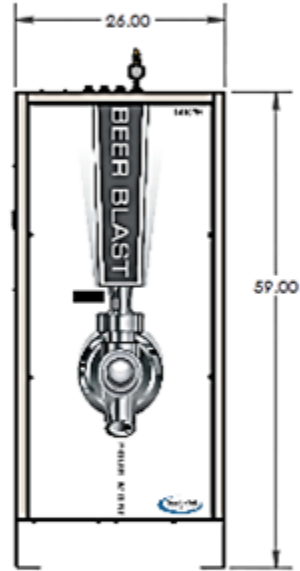
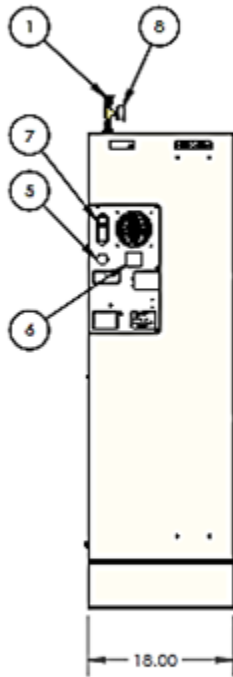
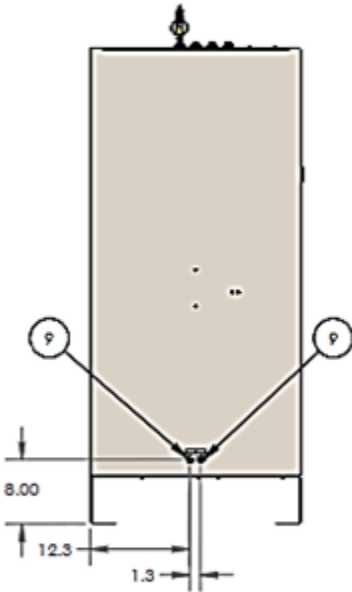


Ports on the upper cabinet are as follows (from left to right): Port 1: 60/40 CO₂/N₂ Blend, Port 2: CO₂ In, Port 3: 25/75 CO₂/N₂ Blend, Port 4, N₂ Out.

First-time use will require an initial pressurization of the internal storage tank. To perform this task, make sure that all gas connections are properly made to the kegs. All gas connection ports are ¼" NPT female.



External Components		
Item #	Description	Service
1	1/4" NPT Female Port	Nitrogen Cylinder Backup
2	1/4" NPT Bulkhead	25/75 (CO ₂ /N ₂) Blend Out
3	1/4" NPT Bulkhead	CO ₂ In
4	1/4" NPT Bulkhead	60/40 (CO ₂ /N ₂) Blend Out
5	Audible Electric Buzzer	BlastOff Alarm Signal (Optional)
6	PLC	System Controller
7	Power Entry Module, 20 Amp	System Power Supply
8	0-160 PSIG Gauge	Nitrogen Storage Tank Pressure
9	1/4" OD PTC Bulkhead	Drain Line Connections



Design Data for BB-14KPH	
Purity	>99.8%
N ₂ Out Pressure	up to 80psi
Electrical	120V / 60Hz / 1Phase
Storage Tank	14.7 Gallons
Weight	275 lbs

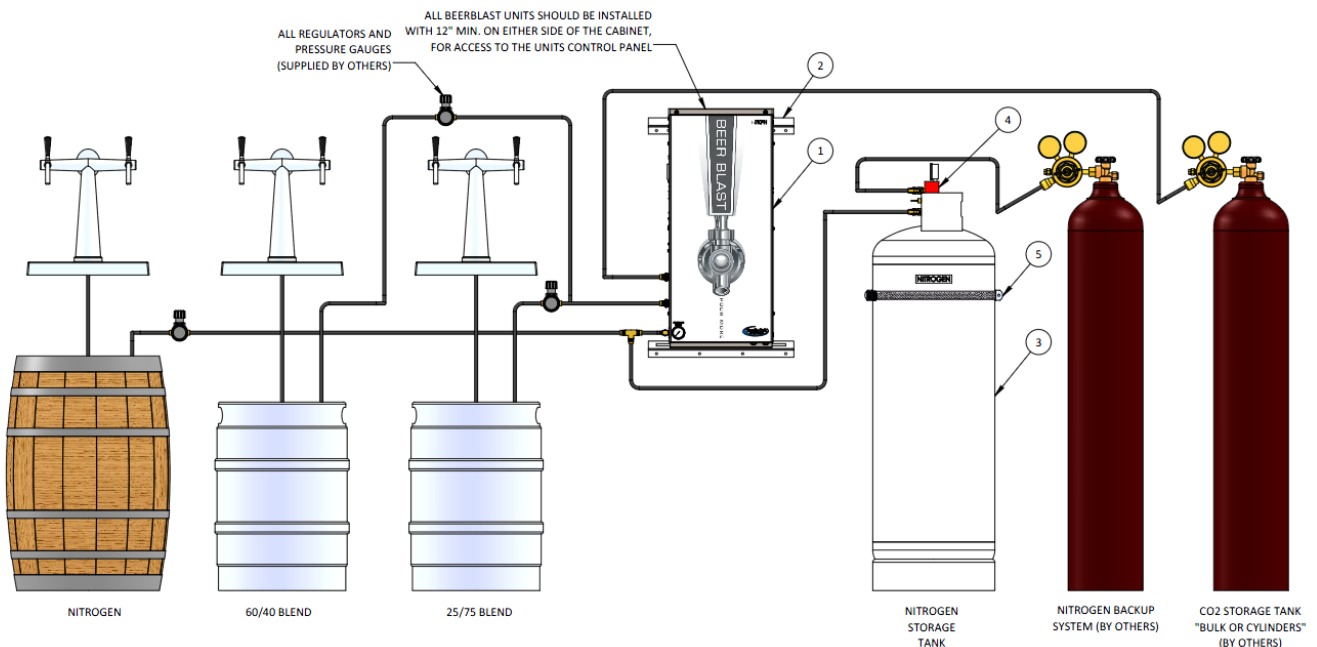
Once the connections are all secure, turn on the power (switch is located externally on the upper left side of the cabinet on the control panel). The initial start-up will require up to 1 hour to fully pressurize the internal storage tank to the correct level. External pressure gauge (at the top coming off the 4th port from the left) can be viewed to verify that the internal storage tank has been filled to 75-80 PSIG. Once the tank is full, the system will automatically go into a standby mode and is ready for standard operation.

4.10 NITROGEN CYLINDER BACK-UP (BEERBLAST™ 1/3/7/14KPH AND N₂-GEN™ 1/3/7/14KPH)

It is recommended that a backup system be installed in case of any unforeseen complications. A backup N₂ Cylinder tank can be used instead of the generated nitrogen from the BeerBlast™ 1/3/7/14KPH or N₂-GEN™ 1/3/7/14KPH . If the optional gas blender is present, it will allow the nitrogen to go through the blender to achieve the desired results. To install the back-up tank, you will need a cylinder with valve and regulator (regulated to 70-80 PSIG). Install the N₂ back-up on the gas line on Port 4 of the BeerBlast™ 1/3/7/14KPH and N₂-GEN™ 1/3/7/14KPH as follows:

1. The N₂ back-up cylinder should have a high-pressure regulator and ball valve on the output. It is recommended to have a lockable ball valve and/or labeled for "Backup Use Only".
2. If the Back-up system is turned on, the backup will fill the N₂ Storage tank and flow to the BeerBlast™ 1/3/7/14KPH and N₂-GEN™ 1/3/7/14KPH Plus keeping the internal blender pressurized with Nitrogen.

See below for visual piping connections:



4.11 START-UP PROCEDURES (BEERBLAST™ 1/3/7/14KPH AND N₂-GEN™ 1/3/7/14KPH)

It is necessary to use caution when working with pressurized gas, making sure that all fittings and gas lines are installed correctly. Always leak check every line before using the system.

Note: Line leaks will cause the BeerBlast™ 1/3/7/14KPH and N₂-GEN™ 1/3/7/14KPH to run excessively, shortening its life and cause excess wear on the compressor.

The installation layout drawings are provided with your system in the documentation package of the system. For electronic copies, please contact your local distributor. Review and make sure the setup installation are followed per the installation layout drawings. Ensure that you follow the correction installation drawing per your system's design. In some cases, a N₂ Bypass system for pre-filling is required in the installations to meet code.

If your system requirements are more complex, please consult your sales representative or equipment installer for more detailed installation instructions.

1. The BeerBlast™ 7/14KPH and N₂-GEN™ /7/14KPH is supplied with ½" NPT Female and BeerBlast™ 1/3KPH and N₂-GEN™ 1/3KPH is supplied with ¼" NPT Female inlet and outlet fittings. Make sure to use Teflon tape or similar on all fittings to make sure they don't leak.
2. Connect the BeerBlast™ 7/14KPH and N₂-GEN™ 7/14KPH to the storage tank and then to the beer system.

3. Once connections are made, slowly open the System's On/Off Valve.
 - A. You will hear air rushing through the system and N₂ filling the BeerBlast™ 1/3/7/14KPH and N₂-GEN™ 1/3/7/14KPH storage tank.
 - B. If you hear a leak or have a bad connection, shut the valve off and make the correction.
 - C. If there is a leak within the unit, remove the cover and locate the issue. If you must replace any parts, only use factory parts supplied from your distributor or South-Tek Systems. Consult the factory if there are any questions.
4. Once the BeerBlast™ 1/3/7/14KPH and N₂-GEN™ 1/3/7/14KPH fills the storage tank to 75-85 PSIG, the system will enter standby – the system's green N₂ Production light will change to orange indicating that the system is in standby. This will shut the air flow off through the generator and eventually shutting off the air compressor once it reaches air tank cutout pressure.
 - A. This will save air and time on your compressor's motor.
 - B. This also prolongs life of nitrogen generator's media and filter life.
 - i. Lesser quality systems have a constant purge flow through their systems which decreases system life and increases the need for maintenance.
5. When you draw N₂ off the system and the tank pressure falls below cut-in pressure (approximately 60 PSIG), the pressure switch will trigger the system back into run mode and start recharging the storage tank automatically. This pressure switch is factory preset – no field adjustment is required.

4.12 CHECKING FOR LEAKS

When a leak is suspected, first try to listen for leaks around the connection ports. If a leak is found, isolate the area so that there's no pressure on it. Fix the leaking part and return the system back to operation. If no leak can be heard, turn off the unit and try isolating sections to see if there's a pressure loss. The BlastOff™ Leak Detection System that is included with your unit, will alarm. This will occur after 9 hours of constant runtime, indicating that there is a leak in the line. Consult with your installer if you cannot locate the leakage area.

To determine if the leak is within the cabinet:

1. With the unit powered on, close off all output gas. If no ball valve is installed on the output ports, it is recommended to remove the gas lines and install a plug.
2. Allow the system to continue running. Within 1 hour, the system should reach the "Standby" mode.
3. Wait for 5 minutes and if the system remains in the "standby" mode, then the leak is after this point. Check the gas lines exterior to the cabinet all the way back to the keg system.
4. If the unit goes back into "run" mode, the leak is within the cabinet. Check all the lines going to the blender and back to the tank.

To find the leak within the cabinet:

1. Open the front cabinet door and locate the N₂ storage tank.
2. Close off the output ball valve from the tank (upper ball valve on the red manifold).
3. Watch the exterior gauge above the cabinet for 60 seconds. If you see the pressure dropping, the leak is somewhere between the output ports, to the blender (if one is present), and back to the closed off ball valve on the tank. Fill and/or listen for leaks and fix them once found. If the pressure is not dropping go to the next step.
4. With the unit still running, close off the input ball valve to the tank (lower ball valve on the red manifold).
5. Within 5 minutes, the system should go into "Standby" Mode. If it doesn't, contact your local provider/installer for further assistance.
6. Once in "Standby" mode, wait 60 seconds. After 60 seconds, the system should remain in "standby" mode. If it doesn't, leak is somewhere between the check valve and the output ball valve on the tank.
7. If the system remains in standby, contact your local provider/installer for further assistance.

4.13 ACCESS CONTROLS

The built-in controller is fully programmed to function without requiring the user to input any values. Do not attempt to modify the program or the warranty will be voided. In case of the program failure, first attempt to cycle the power to the system. If that does not work, please contact your provider for further instructions.

4.14 STARTING THE SYSTEM

To start the system, turn on the power switch and make sure any valves to the gas lines are in the open position.

4.15 STOPPING THE SYSTEM

To stop the system, close off any valves on the gas lines. Powering down the system is not necessary.

5 SYSTEM USAGE

5.1 INSTRUCTIONS

The BeerBlast™ 1/3/7/14KPH or N₂-GEN™ 1/3/7/14KPH is intended to be used to generate Nitrogen, and provide a CO₂/N₂ blend to push beer out of the keg. Follow the installation instructions above and only use in an approved environment. The generator generates enough nitrogen to push 1/3/7/14 kegs per hour (depends on the unit type). Make sure that proper regulators, cooler temperature, and line temperatures are maintained, otherwise you will not be able to effectively push beer from the keg. Please consult with your local provider for questions not answered in this manual.

The system is design for 24-hour operation, but routine maintenance on the filters must be performed. See section "System Maintenance" for detail maintenance instructions.

5.2 ALARM NOTIFICATION

Filter Alarm:

All BeerBlast™ 1/3/7/14KPH and N₂-GEN™ 1/3/7/14KPH comes standard with a "Filter Alarm" notification. The controller will display a "**FILTER CHANGE**" message in red when the filter change is overdue. It is recommended that the filters be changed once every year or every 1000 hours, whichever comes first. See section "System Maintenance" for detail maintenance instructions.

BlastOff™ - Leak Detection System Alarm

A feature that is included with the system is the BlastOff™ - Leak Detection System. It is a patented system installed into the BeerBlast™ 1/3/7/14KPH and N₂-GEN™ 1/3/7/14KPH that detects line leaks within the downstream gas lines from the N₂ Generator to the kegs. Line leaks could be due to a keg not being tapped correctly, a beer gas line leak or fitting therein failing, etc. These leaks are potential safety hazards, they can cause the CO₂ to deplete quickly, and could cause your BeerBlast™ 1/3/7/14KPH or N₂-GEN™ 1/3/7/14KPH to run in excess (decreasing the life of the unit).

Once a leak has been detected, the BlastOff™ is set to initiate a buzzer, displays "**BLAsstoff 9H.Run**" in red on the controller screen, and shuts off the BeerBlast™ 1/3/7/14KPH or N₂-GEN™ 1/3/7/14KPH until the problem has been remedied. To reset the BlastOff™, simply turn off the BeerBlast™ 1/3/7/14KPH or N₂-GEN™ 1/3/7/14KPH and turn it back on.

Never reset the unit repeatedly; if the BlastOff™ goes off daily, there is a real potential issue. Consult your installer for a solution. The label below will be on your BeerBlast™ 7/14 KPH or N₂-GEN™ 7/14 KPH when the BlastOff™ is installed.

Buzzer or Red Light Warning

This unit is equipped with **The BlastOff™ - Leak Detection** feature. If the red light and buzzer are on, you may have a leak in one of the beergas lines or one of your kegs may not be properly tapped, causing beergas leaks. **Note:** Turn off this unit's on/off rocker switch and check for leaks. If none are found, leave the unit turned off and contact your service company. Once the leak has been fixed, turn the BeerBlast™ on/off rocker switch back on to resume normal operation.

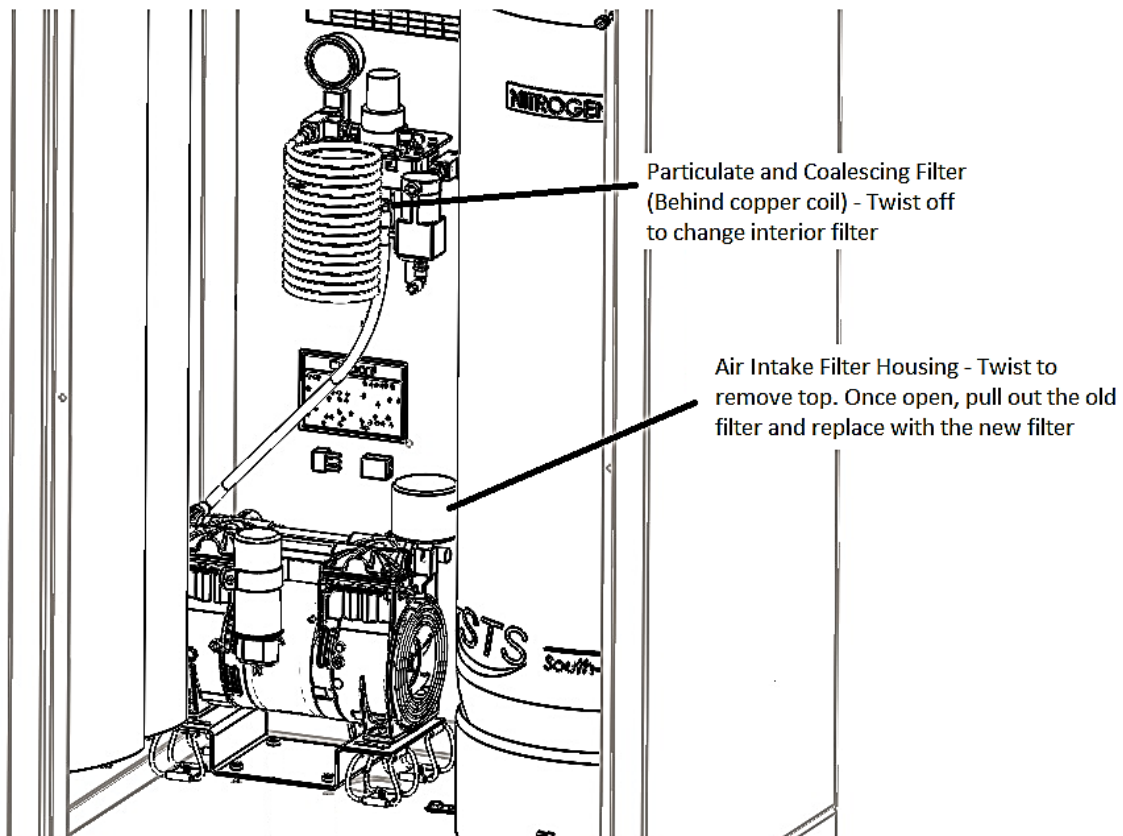
6 SYSTEM MAINTENANCE

Whenever doing any maintenance to the system, make sure to power down the system. Remove the front cover to gain access to the filters.

Annual Filter replacement kit part # [FRP-001](#)

Air Pre-Filter

The integrated Air Compressor has an air intake pre-filter. It is designed to prevent particles from entering into the compressor housing and damaging internal components. This filter needs to be replaced once per year or every 1000 hours, whichever comes first. To do so, remove the pre-compressor filter cap by twisting it clockwise. Remove the old element and use a clean dry cloth to clean the filter bowl before installing the new element.



Particulate and Coalescing Filter

The particulate and coalescing filter after the air compressor is designed to capture particulate and moisture prior to entering the rest of the system. These filters need to be replaced once per year or every 1000 hours, whichever comes first. To do so,

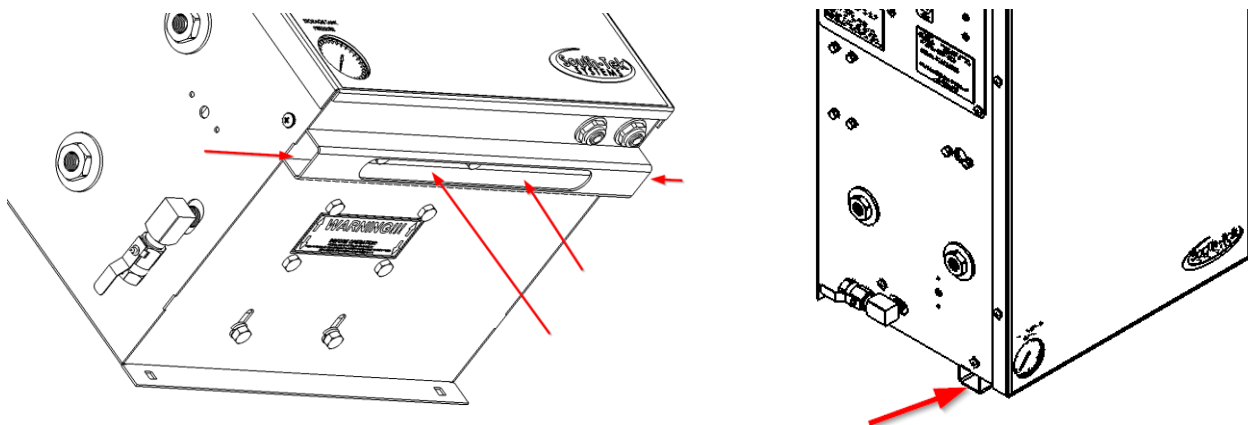
1. Make sure there is no pressure on the filter bowls. The gauge after the filter bowl will read 0 PSIG to indicate that there is no pressure on the bowl.
2. Unscrew the filter bowls by turning them counter clockwise.
3. Once the filter bowls have been removed, rinse any debris out of the bowls with warm water.
4. Dry the bowls with a clean dry cloth and replace the old O-rings with the ones provided in the kit.
5. Using a Philips-Head screwdriver, remove the particulate element and replace.
6. The coalescing element can be removed by turning it counter-clockwise with your hand; then replaced with the new element in the reverse order.
7. Once both elements have been replaced, bowls have been cleaned and O-rings replaced, the bowls can be screwed back in to their corresponding filter housings.

Once all the filters have been replaced, press and hold the filter reset button the (Down Button) on the PLC face for 7 seconds. Put the front cover back on the cabinet and the unit can be powered up again. Once powered up, you should hear the air compressor turn on and the BeerBlast™ 1/3/7/14KPH or N₂-GEN™ 1/3/7/14KPH will be producing nitrogen. Be sure to check the filter bowls for leaks. The filter alarm and filter change timer can also be reset using the controller buttons on the side of the unit near the fan (see: 3.6 System Operations).

Proper cleaning

In beverage, restaurant and pub applications this product is certified as an NSF product. To ensure compliance with typical requirements of these environments the product should be cleaned with mild detergent.

Specific to BeerBlast™ 1/3/7/14KPH models ensure that the lower support channel is clean. Clean with approved kitchen cleaner, apply a rag or brush through the openings, as shown with arrows. Keep free from foreign objects, dust, debris and vermin.



7 KEY CONTACTS

Contact your local provider/installer for any questions with the performance and/or maintenance of the system. They will be best suited to answer your questions and your quickest solution on any issues you may have.

8 FAQs

8.1 POWER ISSUES

If the BeerBlast™ 1/3/7/14KPH and N₂-GEN™ 1/3/7/14KPH does not have power, the production and storage of nitrogen will become apparent once the storage pressure drops. The taps will begin to pour slowly or not at all.

1. Check the power cord
2. Has the building's circuit breaker or GFCI tripped? Locate the breaker and reset. If the breaker continues to trip, you may have that circuit overloaded.

8.2 PRESSURE ISSUES

Whether you are using a BeerBlast™ 1/3/7/14KPH with an integrated gas blender or an N₂-GEN™ 1/3/7/14KPH with an external gas blender, you have to have both gases (N₂ and CO₂) available with pressures over 40 psig. Blenders will shut down output if either gas is not present over 40 psig.

The BeerBlast™ 1/3/7/14KPH or N₂-GEN™ 1/3/7/14KPH will produce and store nitrogen at 73 (+/-3) psig. Once the storage tank reaches 82 (+/-3) psig, the system will go into Stand-By Mode. When the pressure drops by about 7-10 psig, the system should go into Operation Mode and begin to refill the storage. If you are out of the specifications, we need to determine where the issue is. Contact the factory trained technician or manufacturer.

CO₂ Pressure Check:

If you have a BeerBlast™ 1/3/7/14KPH or N₂-GEN™ 1/3/7/14KPH, look at your CO₂ regulator pressure gauge. It should read between 75 and 100 psig. If it is lower, check the CO₂ storage tank to see if it needs refilling or if the pressure regulator needs adjustment. The pressure going into the BeerBlast™ 1/3/7/14KPH or N₂-GEN™ 1/3/7/14KPH is recommended to be set at 75 psig.

Nitrogen Pressure Check:

Look at the pressure gauge on the top or bottom left of the cabinet. It should be between 50 and 80 psig. If the pressure is low, a few things need to be checked.

- Check the power.
- Check for leaks throughout the system. Refer to section on **Checking for Leaks**.

Pressure Regulation Check:

Lastly, if the CO₂ and N₂ are both present and the blender is outputting gas, it's possible a regulator is malfunctioning or needs adjustment. The mixed gas coming from the blender should be between 40-80 psig (dependent on the N₂ and CO₂ pressures going into the blender). A primary regulator is usually installed on the output lines coming from the BeerBlast™ 1/3/7/14KPH or N₂-GEN™ 1/3/7/14KPH. The primary regulator is there to "step down" the available pressure to the kegs. There are typically secondary regulators located further downstream on the mixed gas lines going to the kegs. The secondary regulators are there to individually tune each keg. Some beers require more/less pressure and regulating each keg individually will allow the beer pouring to be optimized.

If the BeerBlast™ 1/3/7/14KPH or N₂-GEN™ 1/3/7/14KPH is operating correctly, then the restaurant/pub should contact their Draft Beer System Technician to adjust the regulators for optimal performance.

8.3 GAS LEAKS

As with any gas system, only use a spray bottle on non-electrical equipment to find leaks. Fix or replace leaking fittings or old hose. Push-to-connect fittings will show bubbles and typically have up to a 5ccm acceptable leakage rate. Contact your local provider/installer for help.

8.4 TEMPERATURE ISSUES: VERY COMMON ISSUE

Consistent beer temperatures are crucial to a good pour. Typically, the beer in the keg should be kept between 36-38 degrees F. It should be sent from the keg to the tap at the same temperature. If there is a change in temperature of the beer between the keg and the glass, then you may experience foaming. Take the temperature of the beer at the glass and if it is above 40 degrees F, you may need to see if the Glycol line cooling system is operating properly. If a keg(s) is warm, change to a properly chilled keg and resume. Contact your refrigeration expert if you have temperature issues, the BeerBlast™ 1/3/7/14KPH or N₂-GEN™ 1/3/7/14KPH does not influence temperature.

8.5 BLASTOFF™ - LEAK DETECTION SYSTEM:

"There is an alarm sounding in the BeerBlast™ 1/3/7/14KPH or N₂-GEN™ 1/3/7/14KPH and the control panel has "BLAsstoff 9H.Run" illuminated on the side panel of the unit."



If you hear the alarm and the "BLAsstoff 9H.Run" is displayed on your unit, that is the "BlastOff™ - Leak Detection" feature. If the buzzer is on, there may be a leak in one of the beer/gas lines, regulators, or one of the keg couplings may not be properly seated, causing beer/gas leaks. Note: Turn off this unit's on/off power switch and check for leaks. If none are found, leave the unit turned off and contact your Draft Beer System Technician. Once the leak has been fixed, turn the BeerBlast™ 1/3/7/14KPH or N₂-GEN™ 1/3/7/14KPH on/off rocker switch back "On" to resume normal operation. By turning the system power off, then back on, this will reset the BlastOff™ automatically.

APPENDIX A: ADVANCED OPTIONS

An advance options can be added to the system upon the customer request, such as:

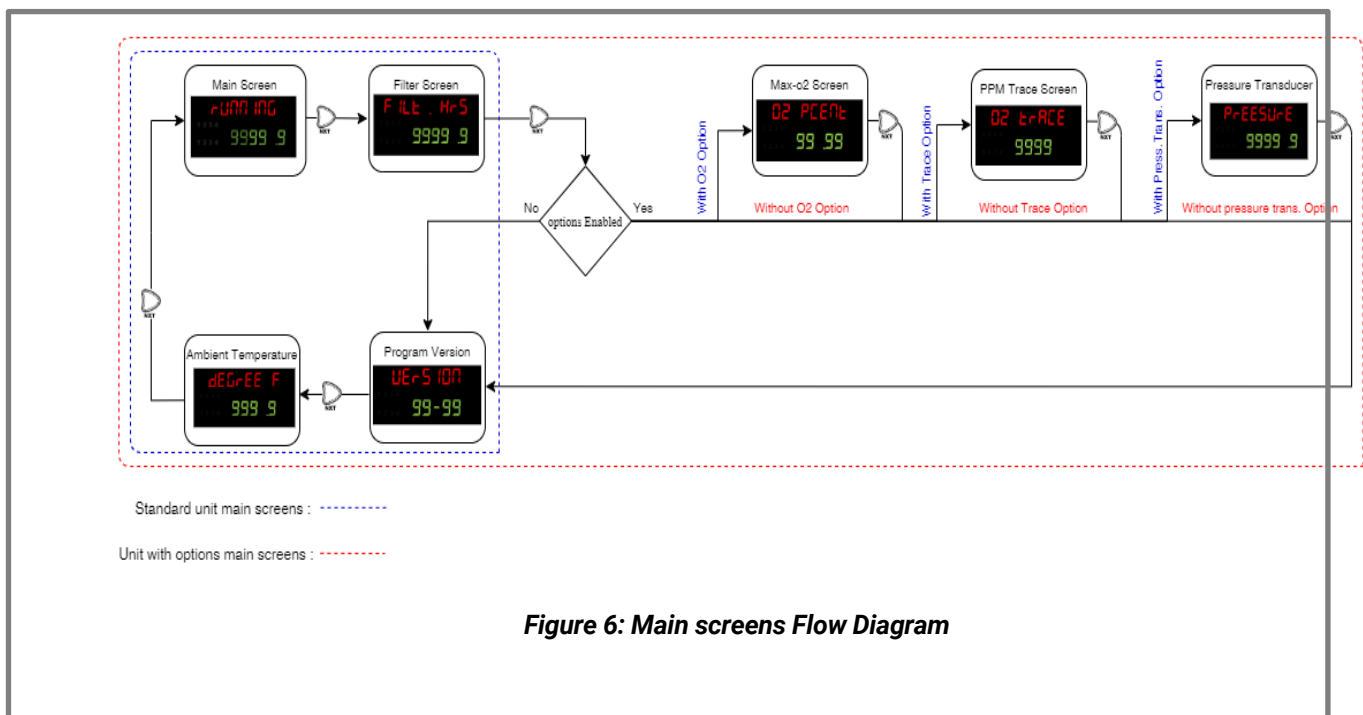
1. Oxygen analyzer - to monitor the oxygen content in the system, with the ability to add set points and alarms to trace the oxygen content in system and maintain the purity of the nitrogen gas.

There is two sensor options for this feature:

- Max O2% (100% Range sensor) "O2 PCENT"
- PPM Trace (Parts per Million sensor) "O2 TRACE"

2. Pressure transducer "PRESSURE" - to have more control of the unit cut-in and cut-out pressure, pressure set point and low pressure alarm.

An extra screens will be added automatically to main screens for each sensor, and show the current values.



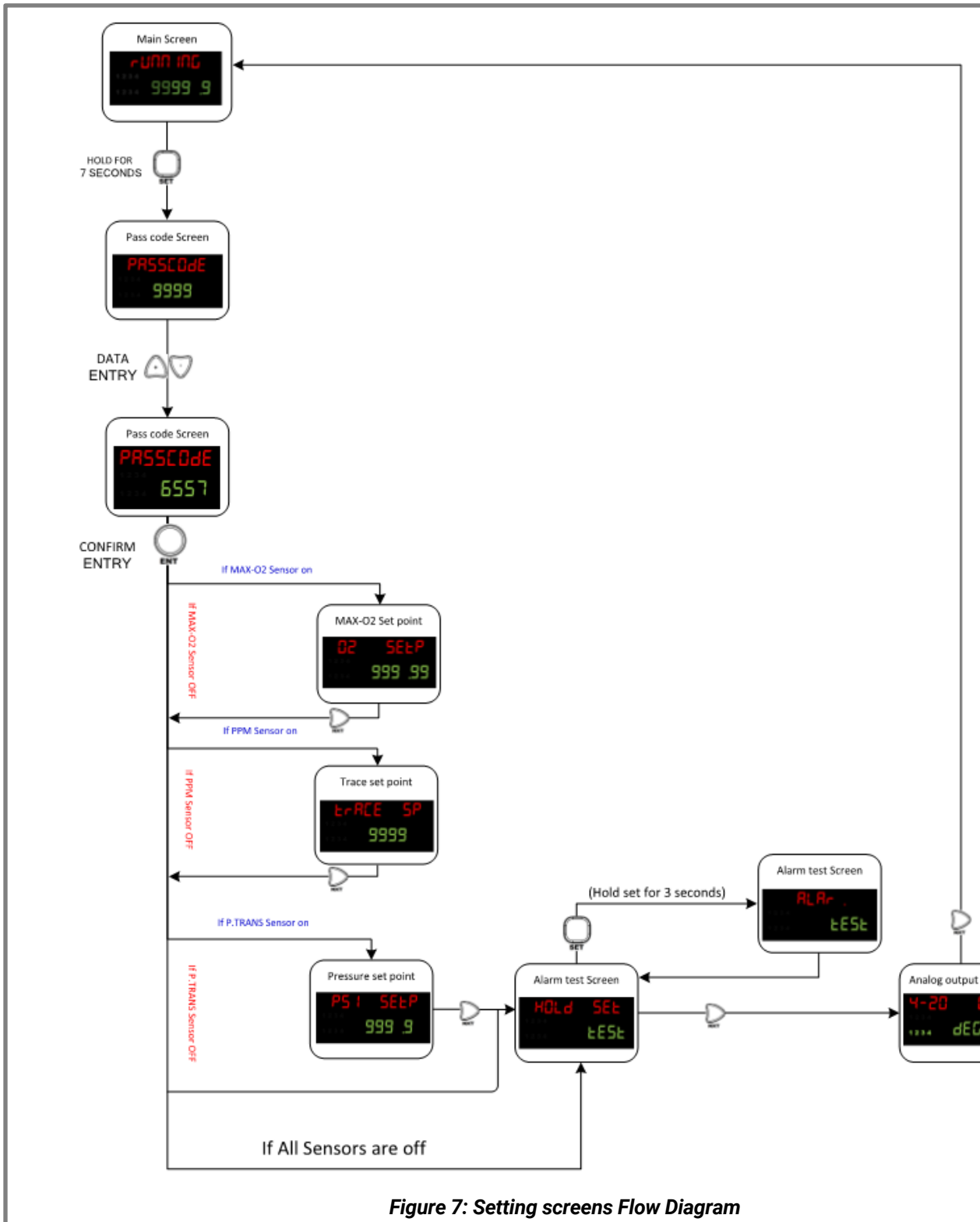


Figure 7: Setting screens Flow Diagram

If any of these sensor start alarming an alarm screen will start switches at intervals of 1 second to the current display and it will trigger the buzzer and common alarm contact.

Modbus (RTU) Table for optional sensors:

Function	Data Type	Modbus RTU Address	Units/Status	Read/Write
High oxygen Alarm (Percent)	BOOL	00108	0=Good, 1=Alarm	R
High oxygen Alarm (PPM)	BOOL	00117	0=Good, 1=Alarm	R
Low Pressure Alarm	BOOL	000165	0=Good, 1=Alarm	R
Pressure cut-in	Double integer	40144	<u>xxx.x</u>	R/W
Pressure cut-off	Double integer	40146	<u>xxx.x</u>	R/W
Current pressure	Double integer	30139	<u>xxx.x</u>	R
Current oxygen(percent)	Double integer	40294	<u>xxx.xx</u>	R
Current oxygen(PPM)	Double integer	30119	<u>xxxxx</u>	R

Note: all these options can be added all at once on same unit, for more information contact one of our sales team member.

APPENDIX A: WARRANTY

The BeerBlast™ 1/3/7/14KPH or N₂-GEN™ 1/3/7/14KPH System is warrantied against any defects in workmanship and materials for 12 months (or 1000 hours) from the date of shipment from South-Tek Systems, whichever comes first. The purchaser has the liability to ensure that the system is fully inspected upon delivery and shall contact the appropriate shipping company to make any claims on damaged goods due to transit within that shipping company's policies. If the system is received with defects that are not due to shipping, a written claim should be submitted to South-Tek Systems within 1 week of receiving the shipment. South-Tek Systems can deny all other claims at their discretion.

All warranty work shall be done at a South-Tek System facility or at BeerBlast™ 1/3/7/14KPH or N₂-GEN™ 1/3/7/14KPH Authorized Service Center. Only factory trained and authorized personnel are covered under warranty. Any part that is returned / repaired / replaced under warranty may be remanufactured or changed to a different specification at the factory's option. Any work performed by an unauthorized person/company or usage of non-factory parts, may void all warranties to the product.

Any item not manufactured by South-Tek may carry its own warranty from its manufacturer and will be warrantied by that manufacturer. All parts that need to be returned should be announced. Any item(s) that is returned to South-Tek Systems without an RMA number (return authorization number) may be denied and returned to the sender. Contact the factory for RMA #'s, prior to return shipment.

South-Tek Systems is not liable for damages caused by normal wear and tear, water, fire, erosion, corrosion, explosion, misuse, oil/gas vapors or unauthorized modifications. South-Tek Systems is also not liable for any losses (including CO₂), damages, or cost of delays, including incidental or consequential damages. There are no warranties or guarantees, expressed or implied, including the warranties of merchantability or fitness for a particular purpose or use, other than those warranties expressed herein.

For Claims, contact South-Tek Systems LLC at:

Tel: (910) 332-4173

Toll-free: (888) 526-6284

Fax: (919) 847-0255

Email: services@southteksystems.com

Or write to:

South-Tek Systems,

Warranty Claims,

3700 U.S. Hwy 421 N

Wilmington, NC 28401

-----Last Page-----