

REV	ECR#	SHEET	DESCRIPTION	DATE	DRAWN	APPR.
-	-		-	-	-	-
01	-		MODIFIED OVERALL STANDARD	02/12/2016	PJS	JVN
00	--		INITIAL DRAWING RELEASE	12/08/2014	PJS	JVN

PROPRIETARY AND CONFIDENTIAL
 THE INFORMATION CONTAINED IN THIS DRAWING IS THE SOLE PROPERTY OF SOUTH-TEK SYSTEMS. ANY REPRODUCTION IN PART OR AS A WHOLE WITHOUT THE WRITTEN PERMISSION OF SOUTH-TEK SYSTEMS IS PROHIBITED.

MATERIAL:
 FINISH:
 WEIGHT:
 PROJECT NAME:
 UNLESS OTHERWISE SPECIFIED DIMENSIONS ARE IN INCHES
 WHOLE NUMBER DIM'S: ± 1
 ONE DEC.: ± .2, TWO DEC.: ± .02
 THREE DEC.: ± .005, ANG.: ± .05°

BEERBLAST, BB-14KPH GENERAL ASSEMBLY

COMMERCIAL GENERAL ASSEMBLY DRAWINGS

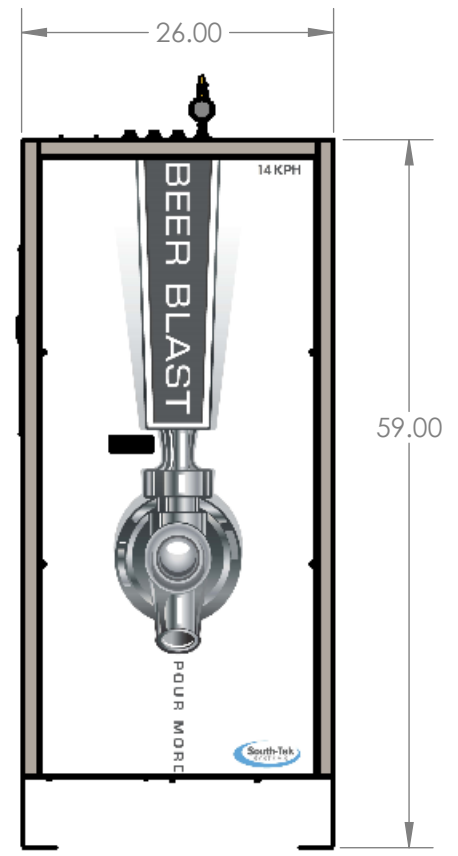
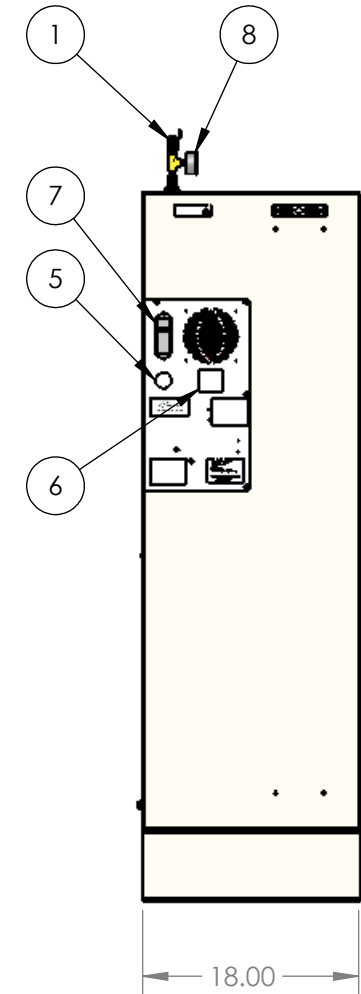
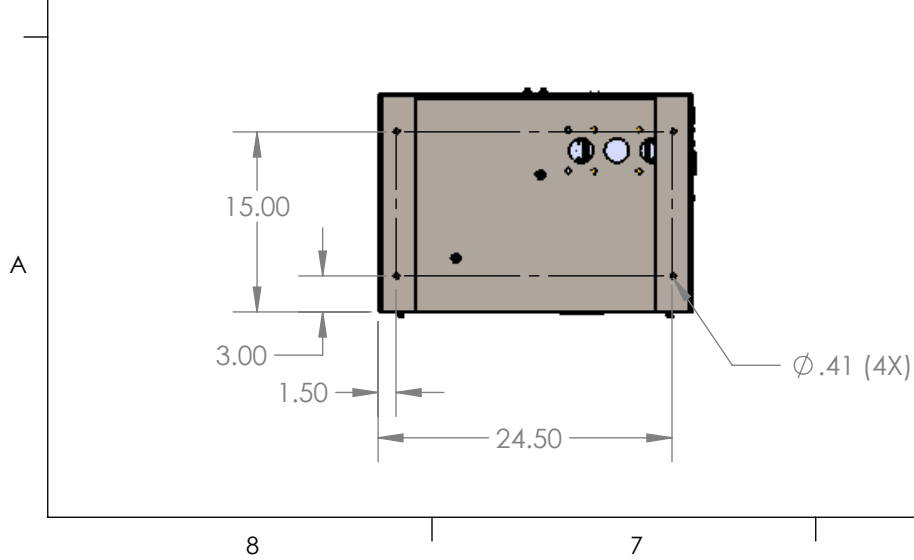
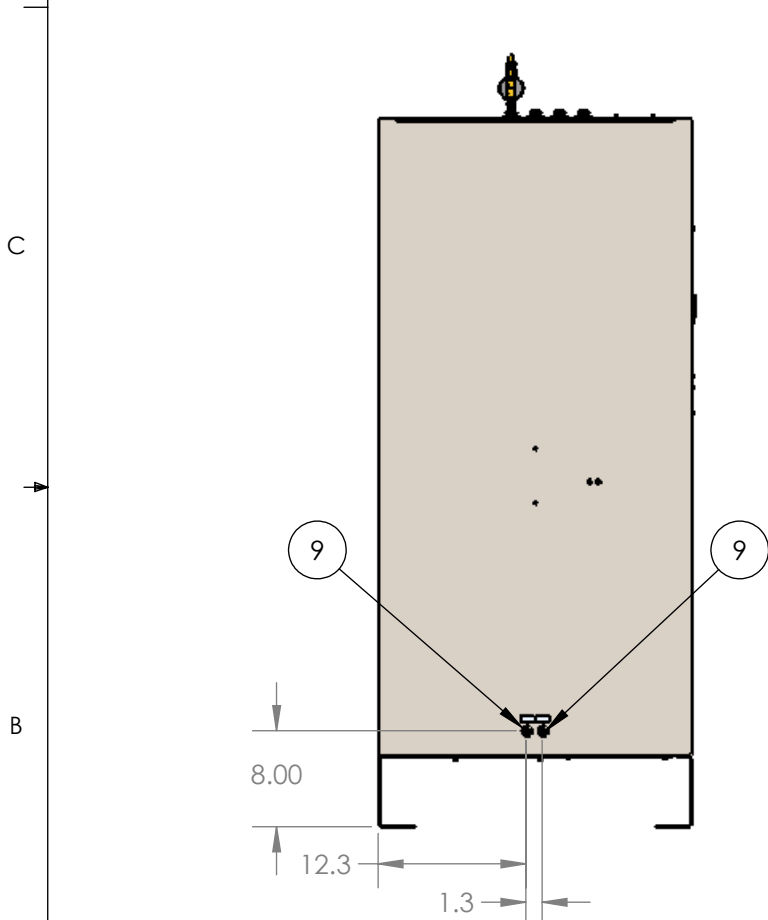
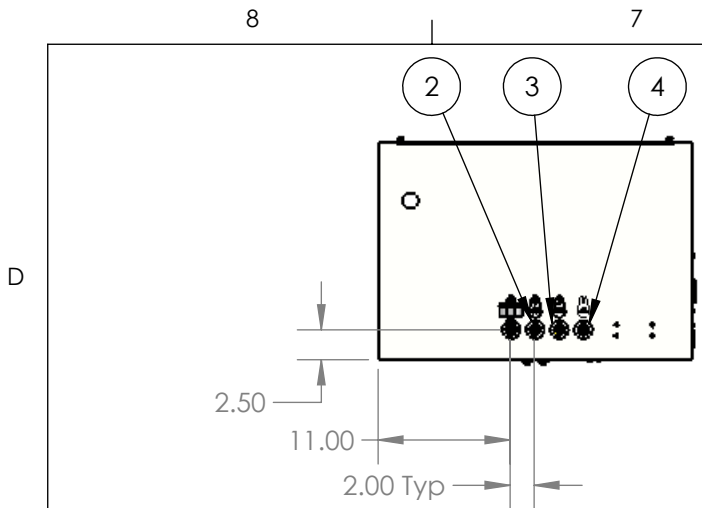
NUMBER: **GA-TYP4P-BB14KPH**

REVISION: **01**

DRAWN: PJS
 DATE: 02/16/16

APPROVED: JVN
 DATE: 02/16/16

SCALE: 1:14
 SHEET: 1 OF 1



External Components		
Item #	Description	Service
1	1/4" NPT Mx F Ball Valve	Nitrogen Out
2	1/4" NPT Bulkhead	25/75 (CO2/N2) Blend Out
3	1/4" NPT Bulkhead	CO2 In
4	1/4" NPT Bulkhead	60/40 (CO2/N2) Blend Out
5	Audible Electric Buzzer	BlastOff Alarm Signal (Optional)
6	PLC	System Controller
7	Power Entry Module, 15 amp	System Power Supply
8	0-160 PSIG Gauge	Nitrogen Storage Tank Pressure
9	1/4" OD PTC Bulkhead	Drain Line Connections

Design Data for BB-14KPH	
Purity	98%
N2 Out Pressure	up to 80psi
Electrical	120V / 60Hz / 1Phase
Storage Tank	28 Gallons
Weight	275 lbs

UNLESS OTHERWISE SPECIFIED DIMENSIONS ARE IN INCHES

TOLERANCES:

Whole Number Dim's: ± 1
 One Place Decimal: ± .2
 Two Place Decimals: ± .02
 Three Place Decimals: ± .005
 Angular: ± .05°

PROPRIETARY AND CONFIDENTIAL
 THE INFORMATION CONTAINED IN THIS DRAWING IS THE SOLE PROPERTY OF SOUTH-TEK SYSTEMS. ANY REPRODUCTION IN PART OR AS A WHOLE WITHOUT THE WRITTEN PERMISSION OF SOUTH-TEK SYSTEMS IS PROHIBITED.

BeerBlast Type 4P Nitrogen Generator

MATERIAL:		FINISH:		WEIGHT: 275 lbs	
DRAWN BY: PJS		CHECKED BY:		APPROVED BY: JN	
DATE: 12/08/14		DATE:		DATE: 12/9/14	
PROJECT NAME: South-Tek Systems			SIZE: B	SCALE: 1:16	SHEET: 1 of 1
NUMBER: DD-BB-14KPH				REVISION: 0	