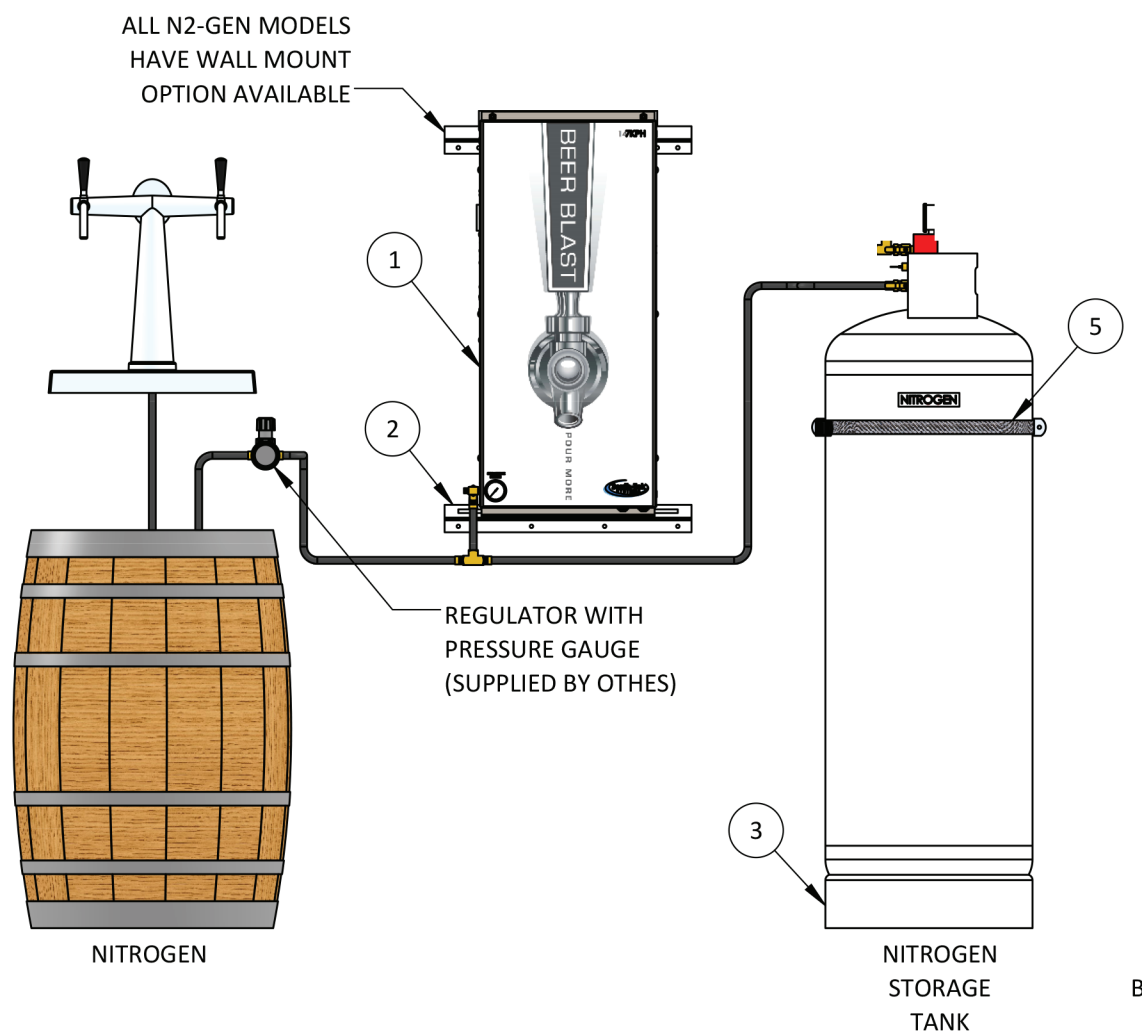


8 7 6 5 4 3 2 1

D  
C  
B  
A

D  
C  
B  
A



ITEM#	STS PART#	DESCRIPTION
1	NP-07KPH	N2-GEN 7KPH ASSEMBLY
2	A05-TYP1	100,200 AND MPSA MOUNTING BRACKET SET
3	800-111-L	100# TANK WITH LABEL AND PACKAGING
4	A01-0100-S	TANK MANIFOLD
5	A01-0100-A	TANK STRAP ASSEMBLY

NOTES:  
 (1) ALL CONNECTIONS ARE 1/4" NPT UNLESS OTHERWISE SPECIFIED.  
 (2) SEE DRAWING DD-TYP1P-NP-07KPH FOR THE NITROGEN GENERATORS DESIGN DATA.  
 (3) REFER TO DRAWING A01-BB-01 FOR 800-111-L, A01-0100-S, AND A01-0100-A FOR TANK ASSEMBLY DESIGN DATA.

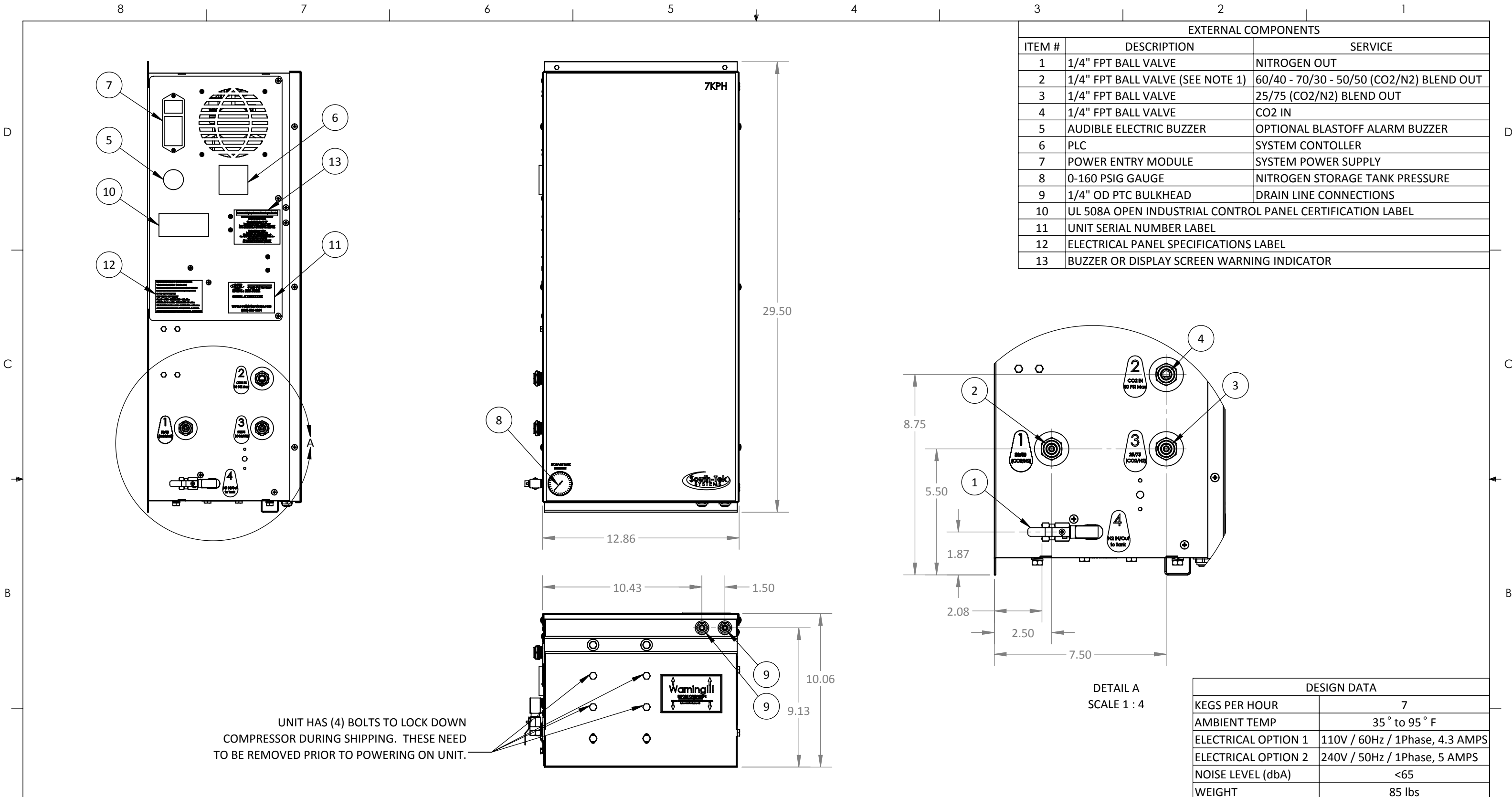
REV	ECR#	SHEET	DESCRIPTION	DATE	DRAWN	APPR.
-	-	-	-	-	-	-
01	-	-	MODIFIED OVERALL STANDARD	02/12/2016	PJS	JVN
00	-	-	INITIAL DRAWING RELEASE	05/09/2015	PJS	JVN

REVISIONS: ONLY THE LATEST 3 REVISIONS WILL BE SHOWN. OLDER REVISIONS CONSOLIDATED AND FILED.

**PROPRIETARY AND CONFIDENTIAL**  
 THE INFORMATION CONTAINED IN THIS DRAWING IS THE SOLE PROPERTY OF SOUTH-TEK SYSTEMS. ANY REPRODUCTION IN PART OR AS A WHOLE WITHOUT THE WRITTEN PERMISSION OF SOUTH-TEK SYSTEMS IS PROHIBITED.

MATERIAL:	N2-GEN, NP-07KPH GENERAL ARRANGEMENT			DRAWN: PJS	APPROVED: JVN
FINISH:				DATE: 02/12/16	DATE: 02/16/16
WEIGHT:	PROJECT NAME:	COMMERCIAL GENERAL ASSEMBLY DRAWINGS	SIZE: B	SCALE: 1:14	SHEET: 1 OF 2
UNLESS OTHERWISE SPECIFIED DIMENSIONS ARE IN INCHES WHOLE NUMBER DIM'S: ± 1 ONE DEC.: ± .2, TWO DEC.: ± .02 THREE DEC.: ± .005, ANG.: ± .05°		NUMBER: GA-TYP1P-NP07KPH	REVISION: 01		

8 7 6 5 4 3 2 1



EXTERNAL COMPONENTS		
ITEM #	DESCRIPTION	SERVICE
1	1/4" FPT BALL VALVE	NITROGEN OUT
2	1/4" FPT BALL VALVE (SEE NOTE 1)	60/40 - 70/30 - 50/50 (CO2/N2) BLEND OUT
3	1/4" FPT BALL VALVE	25/75 (CO2/N2) BLEND OUT
4	1/4" FPT BALL VALVE	CO2 IN
5	AUDIBLE ELECTRIC BUZZER	OPTIONAL BLASTOFF ALARM BUZZER
6	PLC	SYSTEM CONTROLLER
7	POWER ENTRY MODULE	SYSTEM POWER SUPPLY
8	0-160 PSIG GAUGE	NITROGEN STORAGE TANK PRESSURE
9	1/4" OD PTC BULKHEAD	DRAIN LINE CONNECTIONS
10	UL 508A OPEN INDUSTRIAL CONTROL PANEL CERTIFICATION LABEL	
11	UNIT SERIAL NUMBER LABEL	
12	ELECTRICAL PANEL SPECIFICATIONS LABEL	
13	BUZZER OR DISPLAY SCREEN WARNING INDICATOR	

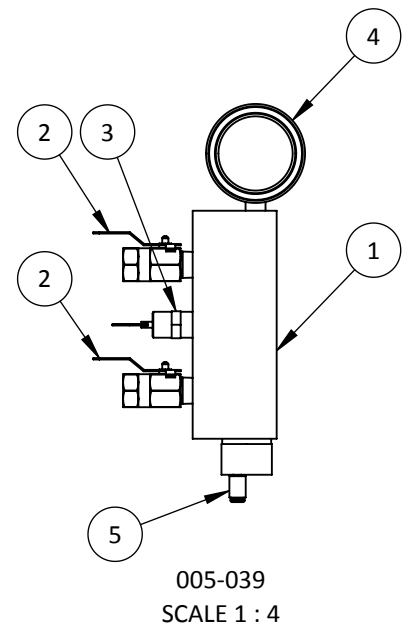
DESIGN DATA	
KEGS PER HOUR	7
AMBIENT TEMP	35° to 95° F
ELECTRICAL OPTION 1	110V / 60Hz / 1Phase, 4.3 AMPS
ELECTRICAL OPTION 2	240V / 50Hz / 1Phase, 5 AMPS
NOISE LEVEL (dba)	<65
WEIGHT	85 lbs

						<b>MATERIAL:</b> <b>FINISH:</b> <b>WEIGHT:</b>		<b>BEERBLAST 7KPH DESIGN DATA AND DIMENSIONS</b>			<b>DRAWN:</b> PJS <b>DATE:</b> 02/01/16		<b>APPROVED:</b> JVN <b>DATE:</b> 02/02/16	
<b>PROPRIETARY AND CONFIDENTIAL</b> THE INFORMATION CONTAINED IN THIS DRAWING IS THE SOLE PROPERTY OF SOUTH-TEK SYSTEMS. ANY REPRODUCTION IN PART OR AS A WHOLE WITHOUT THE WRITTEN PERMISSION OF SOUTH-TEK SYSTEMS IS PROHIBITED.						UNLESS OTHERWISE SPECIFIED DIMENSIONS ARE IN INCHES WHOLE NUMBER DIM'S: ± 1 ONE DEC.: ± .2, TWO DEC.: ± .02 THREE DEC.: ± .005, ANG.: ± .05°		<b>PROJECT NAME:</b> TYP1P DESGIN DATA <b>NUMBER:</b> DD-BB-07KPH			<b>SIZE:</b> B <b>SCALE:</b> 1:6 <b>SHEET:</b> 1 OF 1		<b>REVISION:</b> 01	

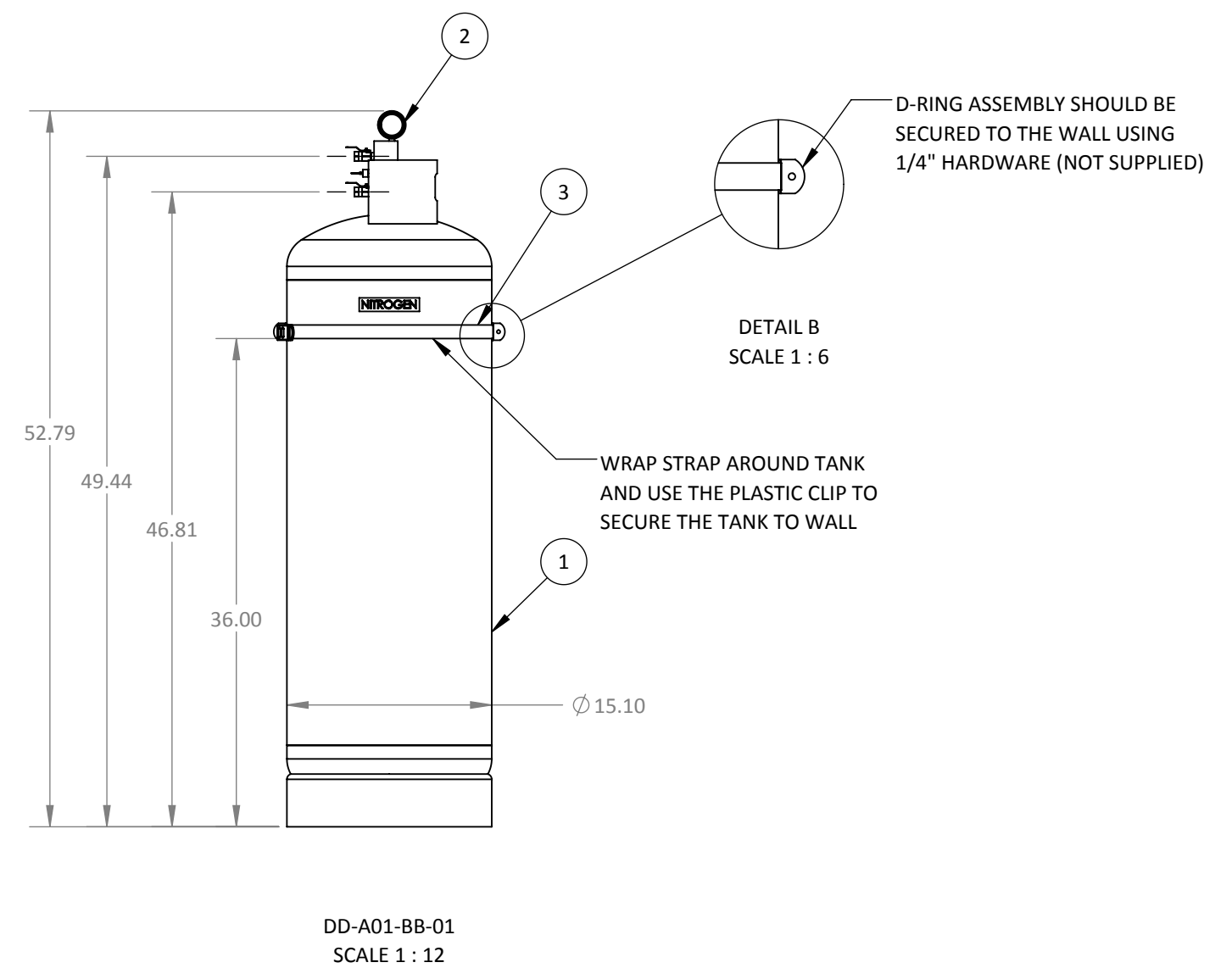
REV	ECR#	SHEET	DESCRIPTION	DATE	DRAWN	APPR.
-	-	-	-	-	-	-
01	-	-	ADDED ELECTRICAL OPTION 2 IN DESIGN DATA TABLE	02/01/2016	PJS	JVN
00	-	-	INITIAL DRAWING RELEASE	03/25/2015	PJS	JVN

REVISIONS: ONLY THE LATEST 3 REVISIONS WILL BE SHOWN. OLDER REVISIONS CONSOLIDATED AND FILED.

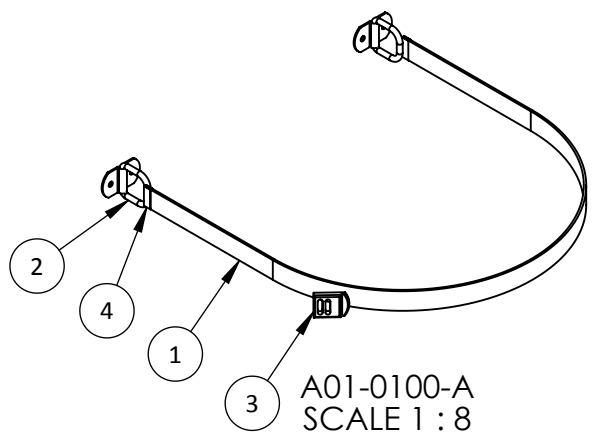
005-039, TANK MANIFOLD WITH 1/4" NOZZLE CONNECITONS			
ITEM #	STS PART #	DESCRIPTION	QTY.
1	800-245-A	Tank Manifold	1
2	124-308	0.250" NPT M x F MINI BALL VALVE, BRASS	2
3	124-335-A	0.250" SAFETY RELIEF, 115 PSI, UCI	1
4	124-125	0.250" NPT x 02.000" O-160 PSIG, BM	1
5	001-573	10-32 UNF x 0.250" OD PTC Straight, Legris	1



DD-A01-BB-01, INCLUDED ASSEMBLIES			
ITEM #	STS PART #	DESCRIPTION	QTY.
1	800-111-L	100# Tank with Label and Packaging	1
2	005-039	TANK MANIFOLD WITH TUBE CONNECITON	1
3	A01-0100-A	Tank Strap Assembly	1



A01-0100-A, TANK STRAP ASSEMBLY			
ITEM #	STS PART #	DESCRIPTION	QTY.
1	800-155	Tank Strap	1
2	800-157	D-Ring Assy	2
3	800-154	Light Duty Plastic Buckle	1
4	800-156	Finishing Tip	2



NITROGEN STORAGE TANK DESIGN DATA	
VOLUME	28 GALLONS
WEIGHT	75 LBS

REV	ECR#	SHEET	DESCRIPTION	DATE	DRAWN	APPR.
-	-	-	-	-	-	-
01	10121		REPLACED A01-0100-S WITH 005-039 AND UPDATED VIEWS	01/13/216	PJS	JVN
00	-		INITIAL DRAWING RELEASE	05/29/2015	PJS	JVN

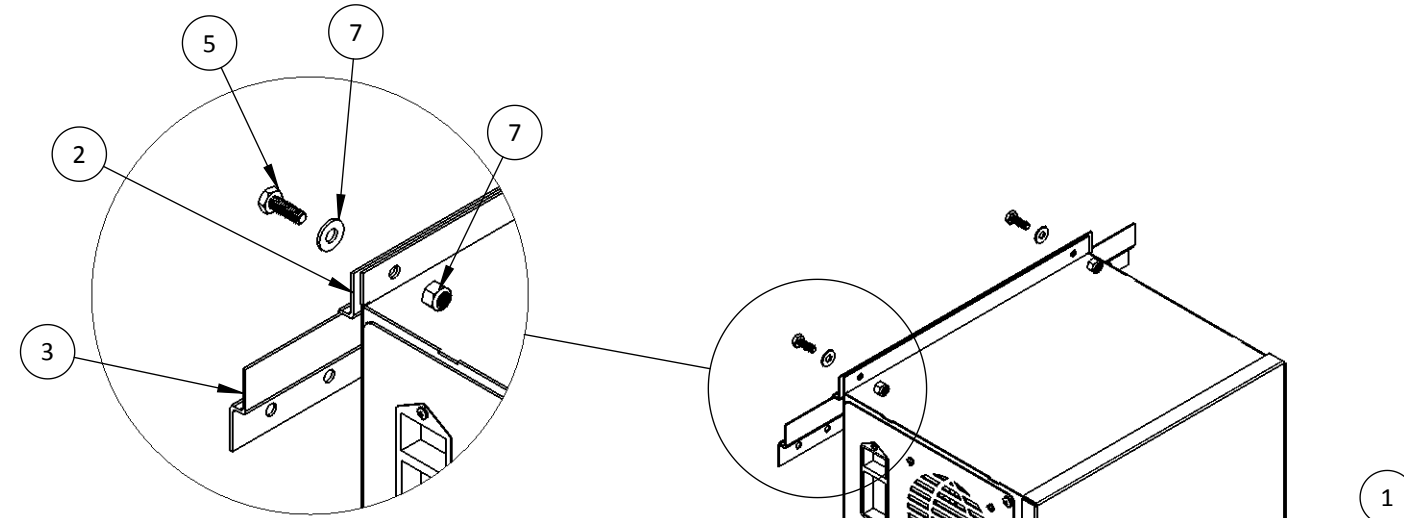
REVISIONS: ONLY THE LATEST 3 REVISIONS WILL BE SHOWN. OLDER REVISIONS CONSOLIDATED AND FILED.

**South-Tek SYSTEMS**

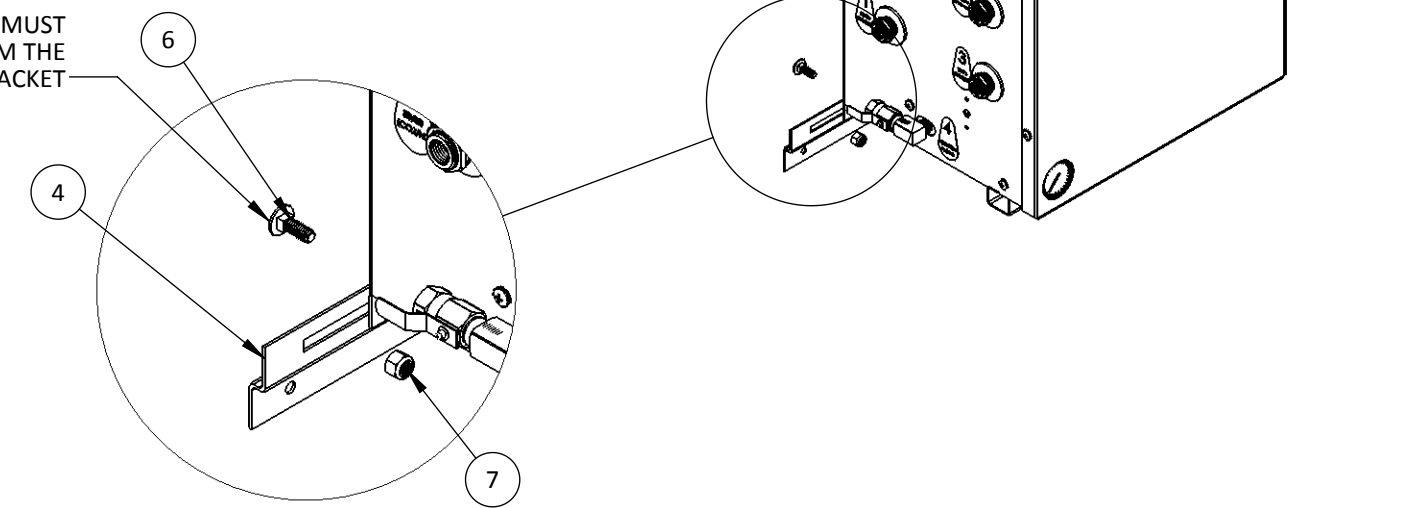
PROPRIETARY AND CONFIDENTIAL  
THE INFORMATION CONTAINED IN THIS DRAWING IS THE SOLE PROPERTY OF SOUTH-TEK SYSTEMS. ANY REPRODUCTION IN PART OR AS A WHOLE WITHOUT THE WRITTEN PERMISSION OF SOUTH-TEK SYSTEMS IS PROHIBITED.

MATERIAL:	28 GALLON TANK WITH MANIFOLD AND STRAP DESIGN DATA		DRAWN: PJS	APPROVED: JVN
FINISH:			DATE: 01/13/16	DATE: 01/13/16
WEIGHT:	PROJECT NAME:	STORAGE TANK DESIGN DATA	SIZE: B	SCALE: NOTED
UNLESS OTHERWISE SPECIFIED DIMENSIONS ARE IN INCHES WHOLE NUMBER DIM'S: ± 1 ONE DEC.: ± .2, TWO DEC.: ± .02 THREE DEC.: ± .005, ANG.: ± .05°		NUMBER: DD-A01-BB-01	SHEET: 1 OF 1	
			REVISION: 01	

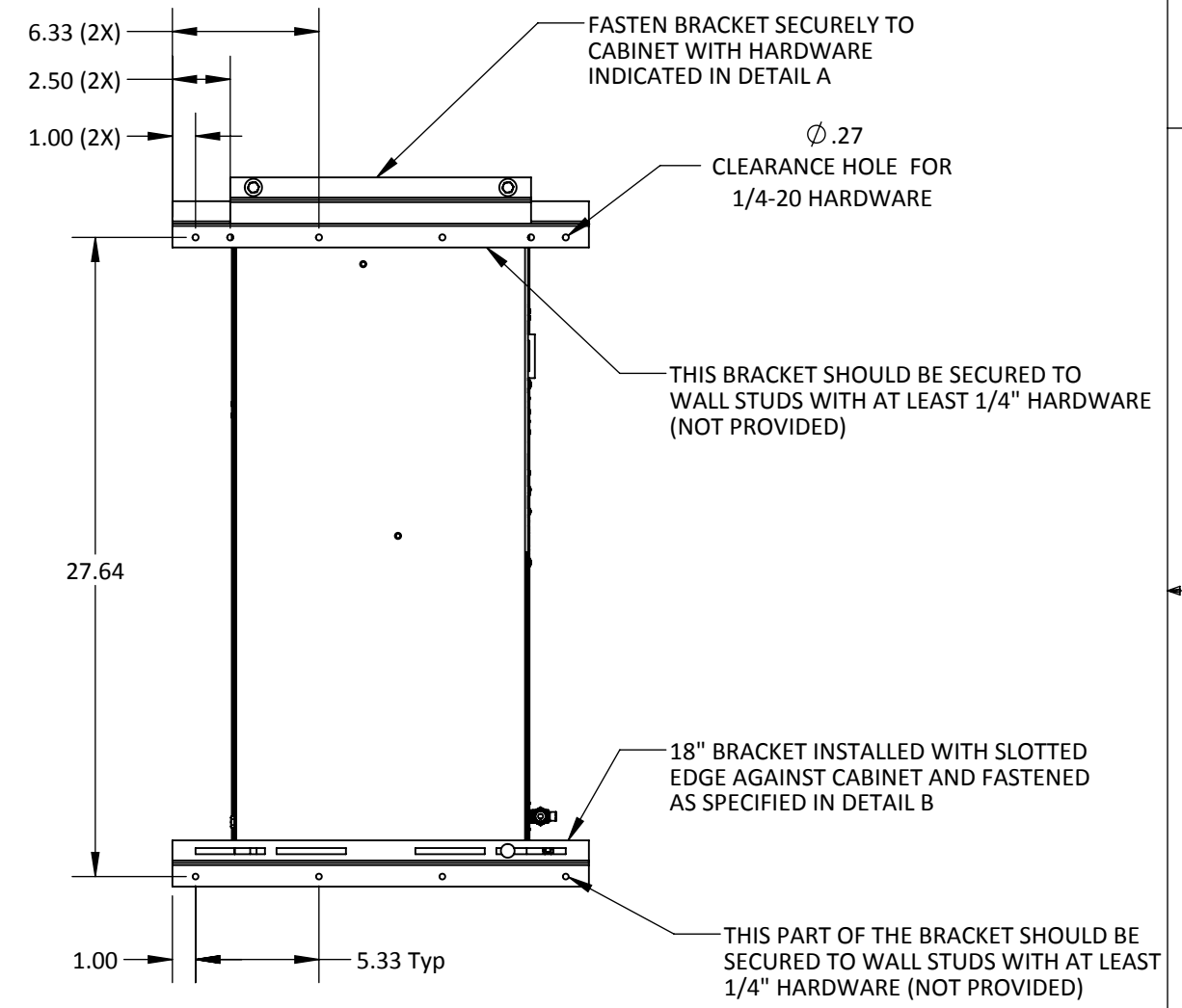
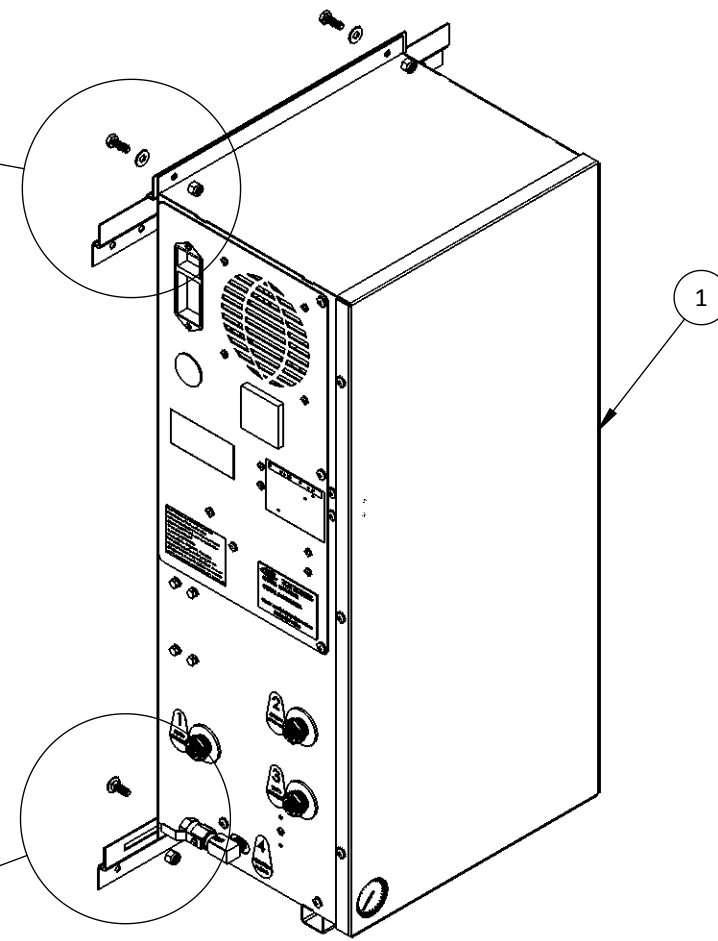
ITEM #	STS PART #	DESCRIPTION	QTY.
1	TL-00450	Transmission Line 450 Assembly	1
2	800-133	S-100/200 MOUNTING BRACKET	1
3	800-134-B	TYP1 (18IN) MOUNTING BRACKET	1
4	800-129	100/200 LOWER WALL MOUNT BRACKET	1
5	002-382	.250"-20 x 0.750" HHCS	2
6	MISC	0.250" -20 x 0.750" CARRIAGE BOLT	2
7	Reference	0.250" FLAT WASHET	2
8	Reference	0.250" NYLOCK NUT	4



DETAIL A  
SCALE 2 : 7



DETAIL B  
SCALE 2 : 7



REV	ECR#	SHEET	DESCRIPTION	DATE	DRAWN	APPR.
-	-	-	-	-	-	-
01	-	-	UPDATED OVERALL STANDARD	02/15/2016	PJS	JVN
00	-	-	INITIAL DRAWING RELEASE	02/10/2015	PJS	JVN

REVISIONS: ONLY THE LATEST 3 REVISIONS WILL BE SHOWN. OLDER REVISIONS CONSOLIDATED AND FILED.

**PROPRIETARY AND CONFIDENTIAL**  
THE INFORMATION CONTAINED IN THIS DRAWING IS THE SOLE PROPERTY OF SOUTH-TEK SYSTEMS. ANY REPRODUCTION IN PART OR AS A WHOLE WITHOUT THE WRITTEN PERMISSION OF SOUTH-TEK SYSTEMS IS PROHIBITED.

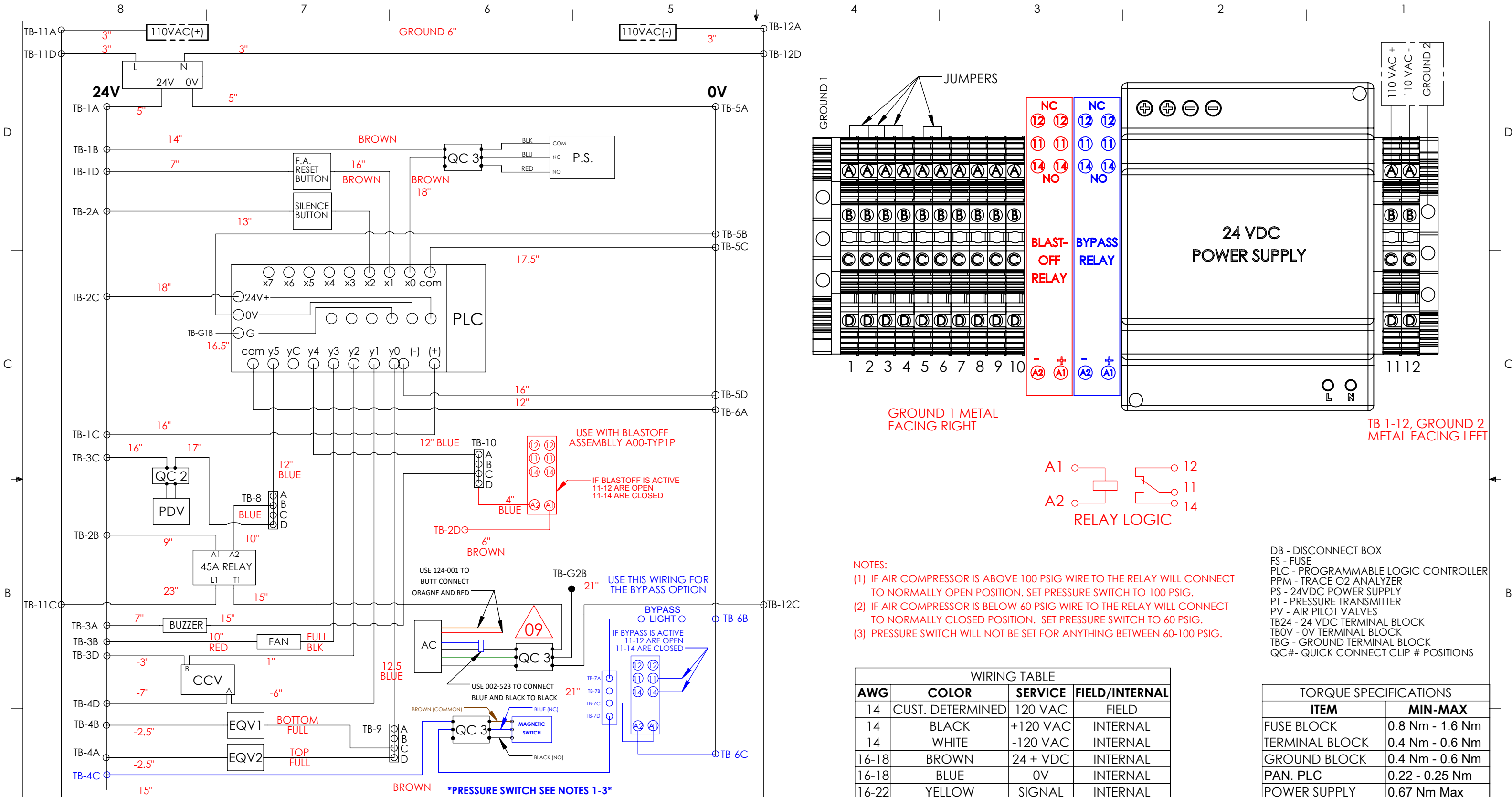
MATERIAL:  
FINISH:  
WEIGHT:  
PROJECT NAME:  
UNLESS OTHERWISE SPECIFIED DIMENSIONS ARE IN INCHES  
WHOLE NUMBER DIM'S: ± 1  
ONE DEC.: ± .2, TWO DEC.: ± .02  
THREE DEC.: ± .005, ANG.: ± .05°

**TYP1 MOUNTING BRACKET  
TYPICAL INSTALLATIONS**

COMMERCIAL DESIGN DATA AND DIMENSIONS

NUMBER: **A05-TYP1P-TI**

DRAWN: PJS  
DATE: 02/15/16  
SCALE: 1:7  
SHEET: 1 OF 1  
APPROVED: JVN  
DATE: 02/17/16  
REVISION: **01**



REV	ECR#	SHEET	DESCRIPTION	DATE	DRAWN	APPR.
09	10124		CHANGED COMPRESSOR WIRING AND BYPASS WIRING	01/21/2016	PJS	JVN
08	-		ADD MAGNETIC SWITCH FOR NEW BYPASS WIRING	09/11/2015	PJS	JVN
07	-		MODIFIED TITLE BLOCK AND TEXT FORMAT	07/23/2015	PJS	JVN

REVISIONS: ONLY THE LATEST 3 REVISIONS WILL BE SHOWN. OLDER REVISIONS CONSOLIDATED AND FILED.

**PROPRIETARY AND CONFIDENTIAL**  
THE INFORMATION CONTAINED IN THIS DRAWING IS THE SOLE PROPERTY OF SOUTH-TEK SYSTEMS. ANY REPRODUCTION IN PART OR AS A WHOLE WITHOUT THE WRITTEN PERMISSION OF SOUTH-TEK SYSTEMS IS PROHIBITED.

MATERIAL:	TYP1P, ELECTRICAL ASSEMBLY			DRAWN: PJS	APPROVED: James Nguyen
FINISH:				DATE: 09/11/15	DATE: 09/14/15
WEIGHT:	PROJECT NAME:	South-Tek Systems	SIZE: B	SCALE: 1:1	SHEET: 1 OF 1
UNLESS OTHERWISE SPECIFIED DIMENSIONS ARE IN INCHES WHOLE NUMBER DIM'S: ± 1 ONE DEC.: ± .2, TWO DEC.: ± .02 THREE DEC.: ± .005, ANG.: ± .05°			NUMBER:	<b>ES-TYP1P</b>	
					REVISION: <b>09</b>