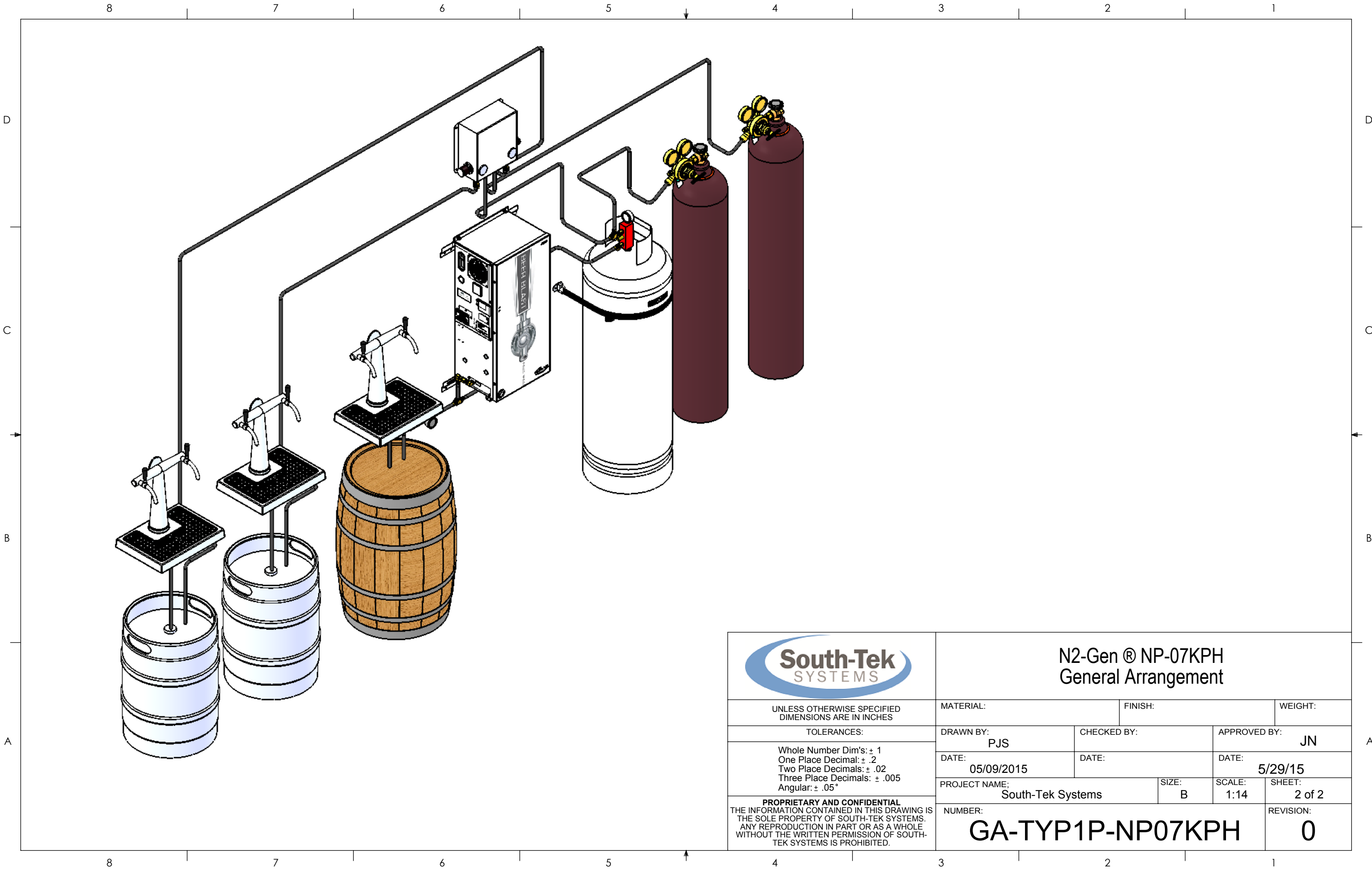


ITEM#	STS PART#	DESCRIPTION
1	NP-07KPH	N2-Gen 7KPH Assembly
2	A05-TYP1	100,200 and MPSA Mounting Bracket Set
3	800-111-L	100# Tank with Label and Packaging
4	A01-0100-S	Tank Manifold
5	A01-0100-A	Tank Strap Assembly

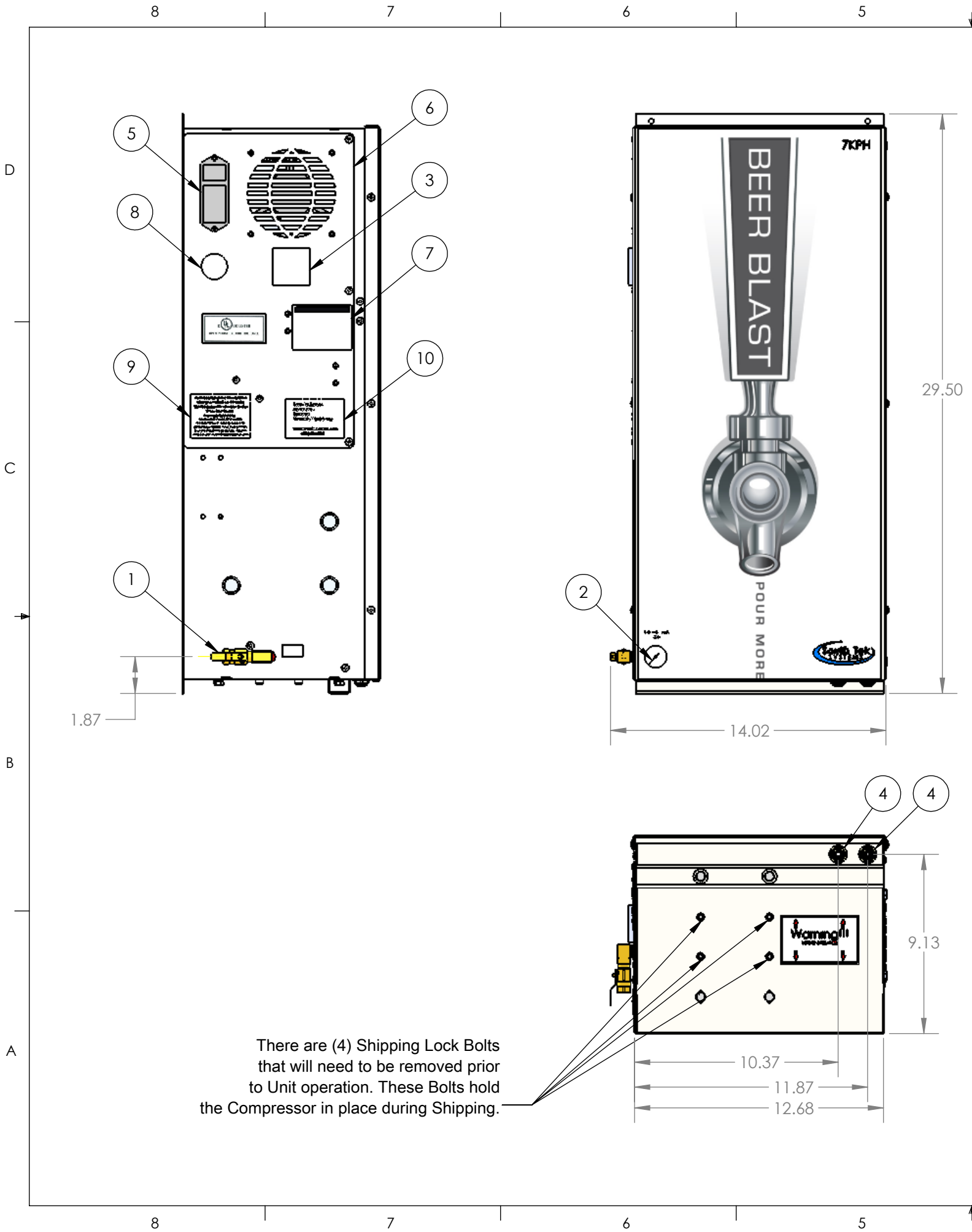
Notes:
 (1) All connections are 1/4" NPT unless otherwise specified.
 (2) See Drawing DD-TYP1P-NP-07KPH for the Nitrogen Generators Design Data.
 (3) Refer to Drawing A01-BB-01 for 800-111-L, A01-0100-S, and A01-0100-A for Tank Assembly Design Data.

		N2-Gen® NP-07KPH General Arrangement					
		UNLESS OTHERWISE SPECIFIED DIMENSIONS ARE IN INCHES		MATERIAL:	FINISH:	WEIGHT:	
TOLERANCES:		DRAWN BY: PJS		CHECKED BY:		APPROVED BY: JN	
Whole Number Dim's: ± 1 One Place Decimal: ± .2 Two Place Decimals: ± .02 Three Place Decimals: ± .005 Angular: ± .05°		DATE: 05/09/2015		DATE:		DATE: 5/29/15	
PROPRIETARY AND CONFIDENTIAL THE INFORMATION CONTAINED IN THIS DRAWING IS THE SOLE PROPERTY OF SOUTH-TEK SYSTEMS. ANY REPRODUCTION IN PART OR AS A WHOLE WITHOUT THE WRITTEN PERMISSION OF SOUTH-TEK SYSTEMS IS PROHIBITED.		PROJECT NAME: South-Tek Systems			SIZE: B	SCALE: 1:14	SHEET: 1 of 2
		NUMBER: GA-TYP1P-NP07KPH					REVISION: 0



**N2-Gen ® NP-07KPH
General Arrangement**

UNLESS OTHERWISE SPECIFIED DIMENSIONS ARE IN INCHES	MATERIAL:	FINISH:	WEIGHT:
	TOLERANCES:		
Whole Number Dim's: ± 1 One Place Decimal: ± .2 Two Place Decimals: ± .02 Three Place Decimals: ± .005 Angular: ± .05°	DRAWN BY: PJS	CHECKED BY:	APPROVED BY: JN
	DATE: 05/09/2015	DATE:	DATE: 5/29/15
PROPRIETARY AND CONFIDENTIAL THE INFORMATION CONTAINED IN THIS DRAWING IS THE SOLE PROPERTY OF SOUTH-TEK SYSTEMS. ANY REPRODUCTION IN PART OR AS A WHOLE WITHOUT THE WRITTEN PERMISSION OF SOUTH- TEK SYSTEMS IS PROHIBITED.	PROJECT NAME: South-Tek Systems	SIZE: B	SCALE: 1:14
	NUMBER: GA-TYP1P-NP07KPH	SHEET: 2 of 2	REVISION: 0



Item #	Description	Service
1	1/4" NPT Ball Valve	N2 Out
2	0-100 PSIG Pressure Gauge	N2-Storage Tank Pressure
3	PLC	System Controller
4	1/4" OD Through Wall Coupling	Liquid Drain Line
5	Power Entry Module, 15 Amp	System Main Power Connection
6	UL 508A Electrical Panel	System Electrical Components
7	Buzzer and Display Panel Warning	Testing Procedure
8	Audible Electric Buzzer	Leak Detection Alarm
9	Electrical Connections Torque Specs Label	
10	Serial Number Label	

Design Data	
Purity	98%
N2 Out Pressure	up to 80 psi
Electrical	110V / 60Hz / 1Phase
Weight	56 lbs

UNLESS OTHERWISE SPECIFIED DIMENSIONS ARE IN INCHES

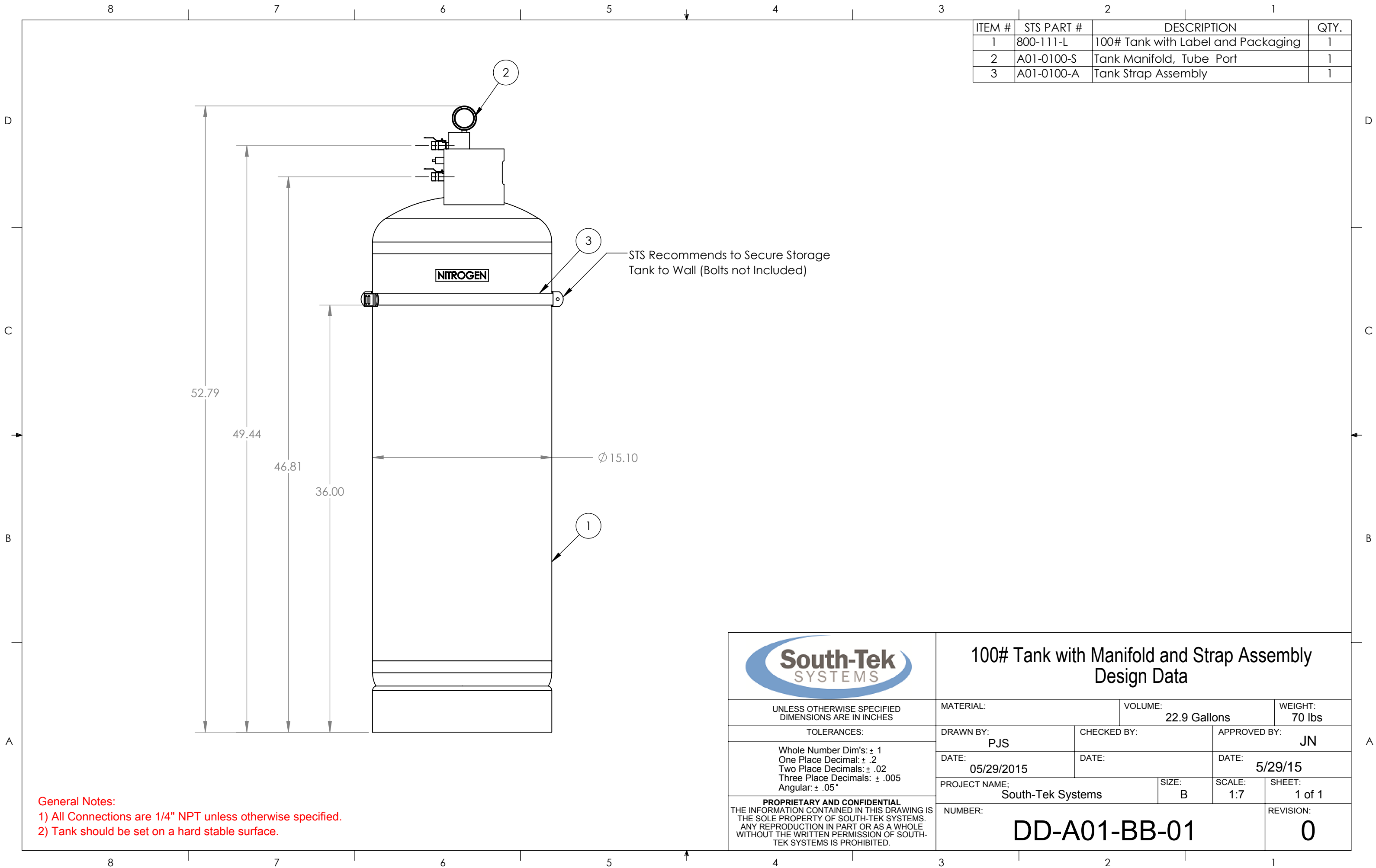
TOLERANCES:

Whole Number Dim's: ± 1
 One Place Decimal: ± .2
 Two Place Decimals: ± .02
 Three Place Decimals: ± .005
 Angular: ± .05°

PROPRIETARY AND CONFIDENTIAL
 THE INFORMATION CONTAINED IN THIS DRAWING IS THE SOLE PROPERTY OF SOUTH-TEK SYSTEMS. ANY REPRODUCTION IN PART OR AS A WHOLE WITHOUT THE WRITTEN PERMISSION OF SOUTH-TEK SYSTEMS IS PROHIBITED.

N2-Gen® NP-07KPH Dimensional Drawings

MATERIAL:	FINISH:	WEIGHT:
DRAWN BY: PJS	CHECKED BY:	APPROVED BY: JN
DATE: 04/30/15	DATE:	DATE: 5/29/15
PROJECT NAME: South-Tek Systems	SIZE: B	SCALE: 1:6
NUMBER: DD-NP-07KPH	SHEET: 1 of 1	REVISION: 0



ITEM #	STS PART #	DESCRIPTION	QTY.
1	800-111-L	100# Tank with Label and Packaging	1
2	A01-0100-S	Tank Manifold, Tube Port	1
3	A01-0100-A	Tank Strap Assembly	1

STS Recommends to Secure Storage Tank to Wall (Bolts not Included)

NITROGEN

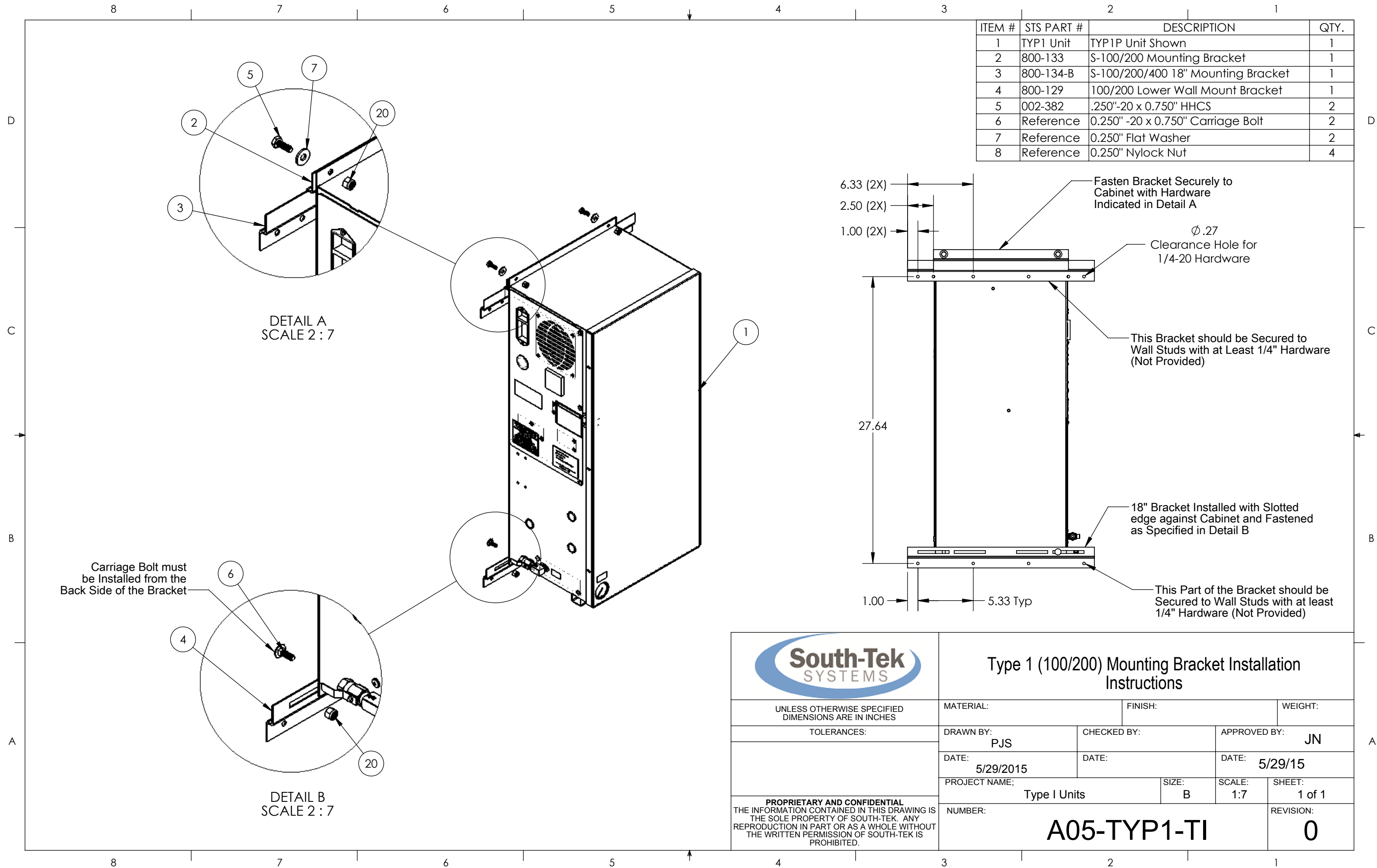
Ø 15.10



100# Tank with Manifold and Strap Assembly Design Data

UNLESS OTHERWISE SPECIFIED DIMENSIONS ARE IN INCHES	MATERIAL:	VOLUME: 22.9 Gallons	WEIGHT: 70 lbs
	TOLERANCES:		APPROVED BY: JN
Whole Number Dim's: ± 1 One Place Decimal: ± .2 Two Place Decimals: ± .02 Three Place Decimals: ± .005 Angular: ± .05°	DRAWN BY: PJS	CHECKED BY:	DATE: 5/29/15
	PROJECT NAME: South-Tek Systems		SCALE: 1:7
PROPRIETARY AND CONFIDENTIAL THE INFORMATION CONTAINED IN THIS DRAWING IS THE SOLE PROPERTY OF SOUTH-TEK SYSTEMS. ANY REPRODUCTION IN PART OR AS A WHOLE WITHOUT THE WRITTEN PERMISSION OF SOUTH-TEK SYSTEMS IS PROHIBITED.	DATE: 05/29/2015	DATE: 5/29/15	SHEET: 1 of 1
	NUMBER: DD-A01-BB-01		REVISION: 0

General Notes:
 1) All Connections are 1/4" NPT unless otherwise specified.
 2) Tank should be set on a hard stable surface.



ITEM #	STS PART #	DESCRIPTION	QTY.
1	TYP1 Unit	TYP1P Unit Shown	1
2	800-133	S-100/200 Mounting Bracket	1
3	800-134-B	S-100/200/400 18" Mounting Bracket	1
4	800-129	100/200 Lower Wall Mount Bracket	1
5	002-382	.250"-20 x 0.750" HHCS	2
6	Reference	0.250" -20 x 0.750" Carriage Bolt	2
7	Reference	0.250" Flat Washer	2
8	Reference	0.250" Nylock Nut	4

DETAIL A
SCALE 2 : 7

DETAIL B
SCALE 2 : 7

Carriage Bolt must be Installed from the Back Side of the Bracket

6.33 (2X)
2.50 (2X)
1.00 (2X)

Fasten Bracket Securely to Cabinet with Hardware Indicated in Detail A

Ø .27
Clearance Hole for 1/4-20 Hardware

This Bracket should be Secured to Wall Studs with at Least 1/4" Hardware (Not Provided)

27.64

18" Bracket Installed with Slotted edge against Cabinet and Fastened as Specified in Detail B

1.00 5.33 Typ

This Part of the Bracket should be Secured to Wall Studs with at least 1/4" Hardware (Not Provided)

		<h3>Type 1 (100/200) Mounting Bracket Installation Instructions</h3>		
		MATERIAL:	FINISH:	WEIGHT:
UNLESS OTHERWISE SPECIFIED DIMENSIONS ARE IN INCHES		DRAWN BY: PJS		APPROVED BY: JN
TOLERANCES:		DATE: 5/29/2015	CHECKED BY:	DATE: 5/29/15
PROPRIETARY AND CONFIDENTIAL THE INFORMATION CONTAINED IN THIS DRAWING IS THE SOLE PROPERTY OF SOUTH-TEK. ANY REPRODUCTION IN PART OR AS A WHOLE WITHOUT THE WRITTEN PERMISSION OF SOUTH-TEK IS PROHIBITED.		PROJECT NAME: Type I Units		SCALE: 1:7
		NUMBER: A05-TYP1-TI		SHEET: 1 of 1
				REVISION: 0